

U.S. HealthWorks Specifications

July 26, 2017

Table of Contents

(I) METAL STUD FRAMING AND GYPSUM BOARD WALLS	1
1. Interior Partitions	1
2. Full Height Partitions	1
3. Plumbing Partitions	1
4. Wall Finish	1
5. Backing.....	1
(II) PLUMBING FIXTURES	1
1. ADA Double-Bowl Sink.....	1
2. ADA Faucet.....	1
3. ADA Single-Bowl Sink.....	1
4. ADA Faucet.....	1
5. ADA Wall Mounted Lavatory:	1
6. ADA Water Closet	2
7. Kohler Touchless Toilet 1.6 gpf flushometer valve.....	2
8. Drug Screen Toilets only	2
9. ADA Water Closet with Tank.....	2
10. Locking Tank Model Toilet	2
11. Mop Sink/Basin	2
12. Utility Faucet	2
13. Floor Sink.....	2
14. Water Fountain	2
15. Copper Water Lines	2
(III) FINISHES:	3
1. FLOOR FINISHES:	3
A. LVT	3
B. Sheet Vinyl.....	3
C. Carpet.....	3
D. Baseboard.....	3
(IV) FRP	3

(V) PAINT PRODUCTS	4
1. Primer	4
2. Paint	4
A. Colors	4
i. Main Wall	4
ii. Restroom Walls	4
iii. Accent Wall	4
iv. Accent Wall	4
v. Front Desk	5
vi. Textures 3D Panels	5
vii. Existing Door Frames	5
viii. Standard Door and Frames	5
(VI) IT SERVER ROOM	5
(VII) MISC. SPECIALTY ITEMS	5
1. Window Shades	5
2. Cubicle Curtains	5
3. Ceiling Mounted Cubicle Track & Roller	5
4. Textures 3D Panels	5
5. Chair Rails & Corner Guards	6
6. Kan Ban Storage Panels	6
(VIII) MILLWORK	6
1. Millwork Finishes	6
A. PL-1 Plastic Laminate - Vertical Surfaces	6
B. PL-2 Plastic Laminate - Horizontal Surfaces	6
C. SS-1 Solid Surface	6
D. M-1 Melamine	6
2. Millwork Hardware	7
A. Cabinet Pulls	7
B. Full-Extension Slides	7
C. Cabinet Door Hinges	7
D. Cabinet Locks	7
E. Metal Work Surface Supports	7

F. Adjustable Height Work Surface Lift	7
G. Grommets	7
H. Crutch Hangers	7
I. Trash Bins.....	7
J. Louvered Panel & Bin Storage	8
K. General Notes	8
L. Casters.....	8
(IX) DOORS, FRAMES, & HARDWARE	8
1. Single Interior Door	8
2. Single 42”W Interior Door.....	8
3. Single Lead-Lined Door & Frame	8
4. Interior Door Frame	8
5. Butts	8
6. Wall Door Stop.....	8
7. Coat Hook:.....	8
8. Interior Door w/ View Window	8
9. Interior Viewing Window	9
10. Lever Lockset/Latch set.....	9
11. Combination Lock/Classroom Lock	9
12. Privacy Lever Lock & Closer	9
13. Cypher “Keyless” lock	9
14. Door Closer	9
15. Kick Plates.....	9
(X) SUSPENDED CEILING.....	9
1. New Clinic	9
2. ALL Toilet Rooms	9
(XI) LIGHTING AND ELECTRICAL TRIM.....	10
1. 2’ X 4’ LED Fixture	10
2. LED Compact Downlight.....	10
3. Exit Signs.....	10
4. X-Ray In Use Sign	10
5. Exhaust Fan	10

6. Electrical Devices	10
(XII) RESTROOM ACCESSORIES	10
1. Paper Towel Dispenser	10
2. Soap Dispenser	10
3. Toilet Room Partitions.....	10
4. Toilet Seat Cover Dispenser	10
5. Toilet Tissue Dispenser	11
6. Mirror.....	11
7. Grab Bars.....	11
8. Coat Hook with Bumper	11
9. Coat Hook	11
10. Sanitary Napkin Receptacle.....	11
11. SS Cup Shelves.....	11
(XIII) FIRE/LIFE SAFETY	11
1. Fire Extinguishers	11
2. Fire Sprinklers	11
3. Fire Alarm	11
(XIV) SIGNAGE	11
1. ADA Restroom Signage	11
2. Exterior Signage	11
(XV) MEDICAL EQUIPMENT.....	12
1. Trauma Exam Chair.....	12
2. Procedure Light Unit.....	12
3. Digital CR Unit and PC Station.....	12
4. Full Height Refrigerator.....	12
5. Under Counter Refrigerator	12
6. X-Ray Equipment	12
7. Audio Booth/Vocal Booth.....	12
(XVI) PHYSICAL THERAPY EQUIPMENT.....	12
1. Electrical Stimulator Unit.....	12
2. Infrared Heat Lamp.....	12
3. Treadmill	12

4. Cycle	12
5. Bike.....	12
6. Elliptical Trainer	12
7. Hydrocollator Heating Unit.....	13
8. Cold Pack Freezer.....	13
9. Paraffin Bath	13
10. Treatment Table	13
11. Traction Package	13
12. PT Blanket Rack.....	13
(XVII) CLINIC EQUIPMENT	13
1. Welch Allyn Green Series 777 Diagnostic Wall Set.....	13
2. Chart Holders.....	13
3. Sharps Containers.....	13
4. Glove Holders	13
5. Crutch Holder – Double Cane & Crutch Storage Rack	13
6. X-ray Apron Rack.....	14
Exhibit A	15
Millwork Standards Reference Booklet.....	16

U.S. HealthWorks Specifications

July 26, 2017

(I) METAL STUD FRAMING AND GYPSUM BOARD WALLS:

1. **Interior Partitions** – Minimum 3-5/8", 20 Ga. Metal studs at 16" O.C. with one layer of 5/8" type X gypsum board each side from slab to 6" above ceiling grid elevation. All walls to receive sound batt insulation. *Note: No new walls are to die into storefront glass. Should proposed layout result in wall dying into storefront glass, prior to installing metal studs, Contractor is to submit RFI to Architect and USHW for proposed solution.*
2. **Full Height Partitions** – Minimum 3-5/8", 20 Ga. Metal studs at 16" O.C. with one layer of 5/8" type X gypsum board each side from slab on grade to underside of structure above. HEIGHT MAY REQUIRE 6" STUDS AND/OR 18 Ga. METAL STUDS TO MEET LOCAL CODE. All walls to receive sound batt insulation.
3. **Plumbing Partitions**- Minimum 3-5/8" or 6" studs as required for plumbing pipe sizes, 20 Ga. Metal studs at 16" O.C. with one layer of 5/8" each side of moisture resistant green or purple board on all wet walls. On all other restroom walls install 5/8" green or purple board to 4' AFF.
4. **Wall Finish** – All new walls to receive smooth level 4 finish. Existing walls currently textured shall be floated and finished to level 4 smooth finish.
5. **Backing** – Steel backing (minimum 20 Ga.) to be installed behind all wall hung equipment, shelving, Storage, and casework. Backing plan to be prepared by G.C. via shop drawing to be reviewed and approved by Architect and USHW.

(II) PLUMBING FIXTURES:

1. **ADA Double-Bowl Sink** (Staff Breakroom only) – ELKAY Lustertone Stainless Steel 29" x 22" x 6-1/2", equal double bowl top mount sink with perfect drain. Model No. LRADQ292265PD.
2. **ADA Faucet** (Staff Break Room only) – DELTA "Classic" #300 DST Single handle deck mount faucet with integral spray. Chrome finish.
<http://www.deltafaucet.com/kitchen/product/300-dst>
3. **ADA Single-Bowl Sink** (Counter Tops Only) - ELKAY Lustertone Stainless Steel 19" x 18" x 6-1/2", single bowl top mount sink with perfect drain. Model No. LRAD191865PD.
<http://www.elkay.com/lrad191865pd>
4. **ADA Faucet** (All locations except staff breakroom) – CHICAGO FAUCETS, HyTronic Gooseneck Sink Faucet with Dual beam infrared sensor. Model No. 116.123.AB.1.
http://chicagofaucets.com/catalog/catalog.php?name=Our%20Products&part_number=116.123.AB.1
5. **ADA Wall Mounted Lavatory:** AMERICAN STANDARD "Comrade" Lav. #0124.024 w/ faucet holes on 4" centers. Color: White

6. **ADA Water Closet** – KOHLER K4368, A.S. 3043.102 Madera 1.6 gpf, vit. China elongated and floor mounted.
<http://www.us.kohler.com/us/Highcliff-1.6gpf-17-1-2-ADA-elongated-toilet-bowl-with-top-inlet/productDetail/commercial-toilets/418482.htm?skuld=347285&brandId=431955>
7. **Kohler Touchless Toilet 1.6 gpf flushometer valve** – Model K-10674-SV-CP. The push button must be installed no more than 36" from toilets.
<http://www.us.kohler.com/us/WAVE-touchless-toilet-1.6-gpf-flushometer-valve/productDetail/flushometers/1112384.htm?brandId=431955>
8. **Drug Screen Toilets only** – ZURN ZH6606AV-MBP remote activated flush valve, WS1 1.6 gpf, (use 1-1/4" supply).
<http://www.zurn.com/products/finish-plumbing/flush-valves/manual/zh6606av-mbp>
9. **ADA Water Closet with Tank** – KOHLER, Model No. K-3589-0, 1.6gpf, vit. China elongated and floor mounted.
<http://www.us.kohler.com/us/Cimarron-Comfort-Height-two-piece-elongated-1.6-gpf-toilet-with-AquaPiston-flush-technology-and-left-hand-trip-lever/productDetail/toilets/426436.htm?skuld=392458&brandId=1159451.html>
10. **Locking Tank Model Toilet** (Drug Screen Restrooms only) – ZURN #Z5550-VL Floor mounted ADA tank type with vandal resistant lockdown. Remote flush valve to be installed outside of Drug Screen Restrooms.
11. **Mop Sink/Basin** – FLORESTONE Model No. 2424 Molded mop receptor 24" x 24" x 10" D with integral drain, stainless steel drain grid and chrome strainer. Provide drain connection as required.
http://www.florestone.com//mop_sinks/msr-2424-msr3624.html
12. **Utility Faucet** – FIAT PRODUCTS Model No. 830-AA. Exposed yolk wall mount utility faucet 8" center with vacuum breaker, wall brace, integral stops and pail hook. Chrome finish with optional #889-CC wall mount 24" with mop bracket.
<http://www.fiatproducts.com/products/productDetail.aspx?id=5332>.
13. **Floor Sink** – ZURN Model No. FD-2375 Arc Sanitary Floor Sink, 12" x 12" x 6" sump deep, with ¾ grate.
<http://www.zurn.com/products/building-drainage/building-light-commercial/fd2375-6-sump-depth>
14. **Water Fountain** – HALSEY TAYLOR Model No. HAC8FSBL-Q ADA child SS, self-contained, electric, refrigerated, bi-level, wall mounted water cooler with can touch apron. Standard 120V, 60HZ, single phase. Install 120V receptacle, rated at 15amp minimum to receive 3-wire parallel. Mount unit to meet child ADA height.
<http://www.halseytaylor.net/hac8fsblq.html>
15. **Copper Water Lines** – Provide ¼" diameter copper cold water line with shut off valve to coffee maker and water cooler locations.

(III) FINISHES:

1. FLOOR FINISHES:

- A. LVT** – To be installed at all areas inclusive of Exam Rooms, Corridor, BAT, Nurse’s Station, PT Curtained Bays, PT Hydrocollator and sink areas, and Lobby. BURKE LVT20WB-2367, 20 MIL luxury vinyl tile, color “Natural Woods”, Light Oak. Installation to be Brick offset landscape-all one direction. Use adhesive RB-711 wet set per the manufacturer’s instructions. Contact Jaime Topete for pricing and stock at jaimetopete@burkeindustries.com or by cell at 562/202-8463. *Note: (1) Slab to be moisture tested and test results to be submitted to Architect and USHW prior to installation of new flooring. (2) Flooring to be cleaned of adhesive residue upon completion of each flooring phase.*
- B. Sheet Vinyl** – To be installed at Restrooms, Procedure, Lab, Janitor’s Closet, and Laundry. ARMSTRONG/Medintech/Color “Silver Gray, Model No. 84197. Base to be 6” self-coved base (integral). All seams to be heat welded using a solid welding rod WS103 Light Sterling. Cap Base with Satin Clear (Smooth) 1/8” Metal Cap. Contact Ron D. Rodriguez for pricing and stock at rdrodriguez@armstrongflooring.com or by cell phone at 323/333-5178.
- C. Carpet** – To be installed in Offices, Conference Rooms, Audio Room, and PT Open Area. SHAW Contract Group/Carpet/Vapor Tile 18”x36”, Style No. 5T036, Color “Myth 37505” to be installed brick offset landscape pattern – one direction. Contact Matt Hagan for pricing and stock at Matt.Hagan@shawinc.com or by cell phone at 818/359-3511.
- D. Baseboard** (at new clinics and complete redesign clinics) – BURKE Profiles Contemporary Type TP 4.5 SCBR-663-CON, 5/16” thick by 4-1/2” high flat surfaced wall base profile with sculptured top. Mitre inside and outside corners and caulk seams and top of base. One 36’ coiled length per carton or 8’ strips as available. Color is Sky Gray #663. Contact Jaime Topete for pricing and stock at jaimetopete@burkeindustries.com or by cell phone at 562/202-8463.

(IV) FRP

Manufacturer: MARLITE
Product: Artizan FRP
Color: 211 Grizel
Location: install to plus 54” AFF (48” above top of 6” self-coved base). To be installed in all bathrooms, janitor’s closets, & laundry room.
<http://www.marlite.com/designer-wall-systems-artizan-frp.aspx>

(V) PAINT PRODUCTS:

1. Primer

Manufacturer: SHERWIN WILLIAMS
Product: Promar 200 Zero - VOC Primer for new construction or in accordance with manufacturer's recommendation

2. Paint

Manufacturer: SHERWIN WILLIAMS
Product: Promar 200 Zero
Finish: Eg Shel

A. Colors – Quart formulas provided on attached Exhibit "A". Paint listed below is shown from three different manufacturers however all paint formulas provided in Exhibit A are from SHERWIN WILLIAMS.

i. Primary Wall Color

Manufacturer: SHERWIN WILLIAMS
Color: 6238 Icicle
Finish: Eg Shel
Location: throughout clinic except restroom accent walls listed below

ii. Restroom Walls

Manufacturer: SHERWIN WILLIAMS
Color: BEHR'S N470-2 Oceanic Climate
Finish: Semi-gloss
Location: all restroom walls

iii. Accent Wall (single wall only)

Manufacturer: SHERWIN WILLIAMS
Color: OLYMPIC'S D58-4 Dover Gray
Finish: Eg Shel
Location: at front desk, offices, break room, and conference room. Accent wall to be the single wall that is most visible from all angles when you enter the doorway from the hallway.

iv. Accent Wall

Manufacturer: SHERWIN WILLIAMS
Color: BEHR'S N470-2 Oceanic Climate
Finish: Eg Shel
Location: at procedure room, front desk, PT, hallways, and exam rooms. Accent wall to be the same single wall in each exam room as you proceed down the hallway. Procedure Room accent wall should use the single wall with EMR Monitor or the least cluttered wall.

v. Front Desk

Manufacturer: SHERWIN WILLIAMS
Color: 7582 Salute
Finish: Eg Shel
Location: Accent wall on one wall only behind the Reception Desk. USHW Logo to be installed on this wall by others.

vi. Textures 3D Panels - An accent art wall painted Icicle with horizontal waves to be provided and installed by General Contractor.
textures3dpanels.com

vii. Existing Door Frames

Manufacturer: SHERWIN WILLIAMS
Color: 6238 Icicle, Gloss

viii. Standard Door and Frames (new construction) – See door section for door type and finish (Formica) and frame to be clear extruded aluminum by Western Integrated or approved equal.

(VI) IT SERVER ROOM

IT server closet should be a minimum of 4'x4' with a locking door for limited access. On the back wall of the server room, we need a 4'x8'x 3/4" plywood backboard mounted from the ceiling down and 2- 4" EMT conduit sleeves with insulated bushings mounted with unistrut coming through the ceiling above the board, one foot above the ceiling and one foot below. Two dedicated quad receptacles inside or next to the board are required to be located 48" a.f.f. A #12 grounding wire run to the server rack shall be provided. Additional a/c is normally not required, however a supply air duct should be run to the room. Provide ceiling mounted switched fixture for lighting

(VII) MISC. SPECIALTY ITEMS:

- 1. Window Shades** – Clutch Roller Shades with stainless steel chain, wrapped hem bar and cassette valances. MERMET/S-screen/Color "Sea Salt"/4% open.
- 2. Cubicle Curtains** – DIAMOND DRAPERY, fabric to be "Equalizer" and color to be, "Light Blue". Contact Austin@diamonddrapery.com for price and stock. Bottom of curtain to be 12" above finished floor.
- 3. Ceiling Mounted Cubicle Track & Roller:** HEALTHCARE CURTAINS #5000 Series, Track Style 5. To be installed @ P.T. and X-ray changing area.
- 4. Textures 3D Panels** – White wave wall: 150HD-Wave 150 Medium Density Fiber Board painted "Icicle" and installed horizontally. textures3dpanels.com

5. Chair Rails & Corner Guards

Chair Rails: ACROVYN #FR-225N 2.25”H with continuous aluminum retainers, inside mitered corners and end caps. Color: “Pearl Gray” #136. For new locations, chair rails are to be installed 33” above finished floor on center in all areas (mainly lobby and exam rooms) where chairs and exam tables are installed against the wall. For remodels, confirm height from finished floor with location staff.

Corner Guards: 48” ACROVYN #SSM-20 surface mounted 90 degree Corner Guards. Color to be “Pearl Gray” #136. Install corner guards above base. Corner guards to be installed on all corridor corners.

- 6. Kan Ban Storage Panels** - Available at Grainger. Quantity to be determined by field measuring proposed Storage Rooms and confirming with Architect and USHW’s Representative via shop drawing. Panels to start 16” A.F.F. Hold 20” clear @ inside corners when panels are located on perpendicular walls. Install full panels only. <https://akro-mils.com/Products/Types/Cabinets-Racks-Shelving-Panels/Louvered-Systems/30618>

(VIII) MILLWORK (See attached Millwork Shop Drawings):

1. Millwork Finishes

A. PL-1 Plastic Laminate - Vertical Surfaces

WILSONART #7942K-07

Color: Cocobala Matte Finish

Used at cabinet door & drawer faces, vertical grain pattern.

B. PL-2 Plastic Laminate - Horizontal Surfaces

WILSONART #1863k-55

Color: Bainbrook Grey

Used for all countertops, except as noted SS-1. Countertops to have Nova 180 wrap edges and coved splash.

C. SS-1 Solid Surface

SILESTONE #SS-Q0020

Color: Alpine White

Used for reception station countertops & transaction shelf only, with full bullnose front & back edges

D. M-1 Melamine

Color: White

Used at cabinet interiors

2. Millwork Hardware

A. Cabinet Pulls

MOCKETT & CO. #DP 105B/2-26M

Aluminum Square Pull 5-7/16" O.L.

Matte Chrome Finish

All doors and drawers mounted horizontally

<http://www.mockett.com/catalog/product/view/id/3984/s/dp105b-2/category/3200/>

B. Full-Extension Slides

ACCURIDE #3832 – Regular Drawer Slide

#4034 – File Drawer Slide

Color : White

C. Cabinet Door Hinges

BLUM Concealed 120-Degree Self-Closing Hinges

Finish: Zinc

D. Cabinet Locks

COMPX "Timberline" #TL-CB240 – Door Lock

COMPX "Timberline" #TL-CB280 – Drawer Lock

E. Metal Work Surface Supports

SPEEDBRACE Work Surface Rigid Steel Bracket

Finish: White

F. Adjustable Height Work Surface Lift

SISERGO "M-1" Wall-Mount Manual Work Surface Lift.

Finish: Black

G. Grommets

MOCKETT & CO. #EDP3-26D 2.5" Dia. Flip-Top Grommet

Finish: Satin Chrome

H. Crutch Hangers

E.B. BRADLEY CO. #K3-10 10" long, Sturdy Steel Rod Hangers

Finish: Anochrome

I. Trash Bins

Rubbermaid "Slim Jim" #3541-73 15 7/8 Gallon

Rectangular Plastic Trash Bin

Used inside trash ring base cabinet.

J. Louvered Panel & Bin Storage

GRAINGER "Akro-Mils" Louvered Panel & Bin Storage

#3AJ36/30618 18" X 5/16" X 19" Wall-Mounted Louvered Panels

Color: Gray

Installed on storage room walls. Ganged three (3) panels high x quantity of panels wide determined by room size. Hold 20' clear at inside corners when panels are located on perpendicular walls. Panels and steel backing provided & installed by G.C. Bins by USHW. Start panels 16" A.F.F.

K. General Notes

Steel backing (min. 20 gauge) to be installed behind all wall hung equipment and cabinetry.

L. Casters

MOCKETT & CO. #CA40PB-90 1-9/16" diameter Casters w/ Plate, Black Hubs & Rubber Tires and Brake

<http://www.mockett.com/furniture-legs-casters/casters/sporty/ca40pb-90.html>

(IX) DOORS, FRAMES, & HARDWARE:

1. **Single Interior Door** – 3'-0" x 7'-0" x 1-3/4" Solid Core Wood door. Finish to be PLAM to match the millwork. Color to be Wilsonart-Cocobala, #7942K-07.
2. **Single 42"W Interior Door** – 3'-6" x 7'-0" x 1-3/4" Solid Core Wood door. Finish to be PLAM to match the millwork. Color to be Wilsonart-Cocobala, #7942K-07.
3. **Single Lead-Lined Door & Frame** – RADIATION PRODUCTS, INC. to be installed at the X-Ray Room if the Physicist's report requires a Lead Lined door. Door to be 3'-0" x 7'-0" x 1-3/4" Solid Core. Finish to be PLAM to match the millwork. Color to be Wilsonart-Cocobala, #7942K-07.
4. **Interior Door Frame** – WESTERN INTEGRATED Extruded Aluminum with clear finish. WESTERN INTEGRATED or approved equal.
5. **Butts** – 3 each HAGER BB1279 4.5 x 4.5 US26D HA.
6. **Wall Door Stop** – STANLEY SP9205 2-1/2" Diameter. Satin Chrome Finish.
7. **Coat Hook:** BOBRICK #B-6717 Single Robe Hook. Satin S.S, Finish. To be installed at inside of all Office Doors.
8. **Interior Door w/ View Window:** STANDARD Plastic Laminate Interior Door w/ 8"w x 24"h clear tempered glass lite, self-trimmed. Window to be located 6" from strike edge and 42" AFF to bottom edge. Lobby/ Clinic Door, Break Room, BAT, PFT, Conference Room.

9. **Interior Viewing Window:** 36”w x 45” h, clear tempered glass window in aluminum frame to match door frame. To be located at CM Office & MD Office at +3’-3” AFF to bottom edge
10. **Lever Lockset/Latch set** – STANLEY 7KC with 14D Lever. Interchangeable core, 7 pin TE keyway, #626 satin chrome finish. Entry to be keyed separately, offices and common areas to be keyed alike.
http://bestaccess.com/files/5714/6180/5407/7KCseries_BAS010_WEB.pdf
11. **Combination Lock/Classroom Lock** – Install on doors that lock. Master key system; Entry and Offices keyed alike and common areas keyed alike. IT/Telco closet to be keyed separately (Do not commingle other functions with the IT/Telco Room).
12. **Privacy Lever Lock & Closer:** STANDARD lever hardware w/ Privacy Lock function and Closer. To be installed at all Restrooms.
13. **Cypher “Keyless” lock** (optional by request) – SIMPLEX 98100 Series, heavy duty lock #8148, 26D Satin Chrome Finish.
<http://simplexlock.com/?page=products&action=view&manufacturerID=69&productID=8148&linkID=8775>
14. **Door Closer** – STANLEY D4550 T6 89, Powder coated Aluminum Finish.
15. **Kick Plates** – Stainless Steel 24” high x door width minus 1” at front waiting room areas only. Janitor closets to receive 36” high kick plates outside only. Kick plates to be installed only at Waiting Room and Janitor’s Closet.

All doors are to be manufactured pre-fit for each specific hardware group. Shop Drawings for all doors and hardware are required to be submitted to the Architect and USHW for review and approval prior to releasing doors and hardware for fabrication.

(X) SUSPENDED CEILING:

1. **New Clinic** – ARMSTRONG Silhouette XL 9/16” Bolt Slot 1/8” Reveal White Grid 76008 with Ultima beveled tegular tile #1952, 2’x2’.
<https://www.armstrongceilings.com/commercial/en-us/suspension-systems/silhouette-xl-bolt-slot-1-8-grid/item/76008.html>
2. **ALL Toilet Rooms** – Drywall finished smooth and painted white.

(XI) LIGHTING AND ELECTRICAL TRIM:

1. **2' X 4' LED Fixture** – LITHONIA LIGHTING “Avante” Series #2AVL4 50L MDR EZ1 LP840 (48”) Recessed, ambient fixture, MDR, direct/indirect with white metal diffuser, staggered round holes.
<http://www.acuitybrandslighting.com/library/ll/documents/specsheets/2avl-2x4.pdf>
2. **LED Compact Downlight** – LITHONIA L5LED T24.
<http://www.acuitybrandslighting.com/library/ll/documents/specsheets/l5led-t24.pdf>
3. **Exit Signs** – LITHONIA Precise “Edge-lit” LED exits – clear with green letters #LPR 1&2 GC 120/277 EL N.
<http://www.acuitybrandslighting.com/library/ll/documents/specsheets/lrp.pdf>
4. **X-Ray In Use Sign** – PHILLIPS CHLORIDE CALIBER SIGNAGE #CS-A-2-R-M-E14 120/277V ceiling or wall mounted, two-sided LED “X-Ray-In-Use light, with mirror face with red letters above X-Ray Door. To be OFCI.
<http://www.lightingproducts.philips.com/our-brands/chloride/caliber-series-edge-lit-signage.html#!f=%40Brand%3aChloride%2b%40Category%3aExit%2fEmergency%2b%40SubCategory%3aExit+Signs>
5. **Exhaust Fan** – Per Engineer’s specifications at Toilet Rooms and Janitor’s Closets only.
6. **Electrical Devices** – All electrical devices to be Decora-White. To include but not limited to: switches, outlets, data jacks, phone jacks, cable jacks, etc.

(XII) RESTROOM ACCESSORIES (All contractor furnished and installed except #1 & #2):

1. **Paper Towel Dispenser** (Owner Furnished Contractor Installed) – 17207 MCKESSON 613677 GEORGIA PACIFIC 59498 motionless hand towel dispenser enMotion translucent smoke 13.23 x 9.5 x 13.12 to be installed at all sinks. Verify installation elevation with USHW.
2. **Soap Dispenser** (Owner Furnished Contractor Installed – 17216 MCKESSON 874029 GOJO touchless hand wash dispenser chrome/black. Model #H-5066 and located at all sinks.
3. **Toilet Room Partitions** – ALL AMERICAN METAL floor to ceiling style toilet partition. Powder coated baked enamel finish. Color to be #30 Light Grey. Alternate specification: Accurate or Ampco.
4. **Toilet Seat Cover Dispenser** – BOBRICK #B-221 Surface-mounted toilet seat cover dispenser. Satin stainless steel finish. Provide 1 unit per toilet, except in the Drug Screen Restroom. Mount at 54” AFF to top of unit.

5. **Toilet Tissue Dispenser** – BOBRICK #B-2740 Double Roll, surface mounted dispenser. Satin stainless steel finish. Provide 1 unit per toilet.
6. **Mirror** – BOBRICK #B-165 Series Mirror with stainless steel channel frame. Size to be 24"W x 36"H. To be installed at all sinks except in the Drug Screen Restroom.
7. **Grab Bars** – BOBRICK #B-6806 Series, 36"L & 42"L x 1-1/4" diameter bars with snap flanges in satin stainless steel finish. Provide at ADA compliant locations and heights. Add 18" bar as required to meet code requirements.
8. **Coat Hook with Bumper** – BOBRICK #B-212 aluminum with matte finish. Provide 1 per toilet partition door.
9. **Coat Hook** – BOBRICK #B-6717 to be installed at Office Doors at the inside of the door.
10. **Sanitary Napkin Receptacle** – BOBRICK #B270 Surface mounted napkin disposal. Install in all single occupancy use restrooms.
11. **SS Cup Shelves** (Drug Screen Toilets only) – BOBRICK #B-295 x 16 shelf.

(XIII) FIRE/LIFE SAFETY:

1. **Fire Extinguishers** – LARSEN "Architectural Series" cabinet, 1-1/4" square trim, semi-recessed with "vertical duo" clear acrylic door type. Clear satin anodized finish aluminum. To be installed with LARSENS MP-10 multi-purpose ABC 10lb. To be installed every 75' or less.
2. **Fire Sprinklers** – Deferred Submittal. Design by Fire Sprinkler vendor or Engineer.
3. **Fire Alarm** – Design by Architectural firm at all new projects depending on Jurisdiction.

(XIV) SIGNAGE (Owner Furnished Owner Installed):

1. **ADA Restroom Signage** – (1) 12" diameter door sign, stainless steel with black raised pictogram, text and Grade 2 Braille. Alternate: INPRO CORP spx 20alumexuf-exterior grade unpainted face to expose aluminum core – 12 X 12. (2) 8" x 8" wall sign, stainless steel with black raised pictogram with handicap symbol, text and Grade 2 Braille.
2. **Exterior Signage** – Architect and Engineer to Design Power feeds for owner furnished exterior signage. Coordinate with signage company vendor.

(XV) MEDICAL EQUIPMENT (Owner Furnished Owner Installed):

1. **Trauma Exam Chair** (USHW)
Provide 120v flush, floor outlet
2. **Procedure Light Unit** (USHW) (By Special Request Only)
BURTON "Out-Patient" Single Ceiling Mounted #OP216SC 120V, 50HZ
3. **Digital CR Unit and PC Station** (USHW)
FUGIFILM Carbon X/XL
 - A. Quad 110V ,20 amp dedicated outlet to serve:
Reading Unit: 110V, 5amp
CPU: 110V, 2amp
LCD Display: 110V, 0.6 amp
 - B. Network Data Drops, RJ-45 connections. 100base-T network
4. **Full Height Refrigerator** (USHW)
FRIGIDAIRE FFTR1817LW
Color: White 30"Wx 66.13"Hx29.88"D
5. **Under Counter Refrigerator** (USHW)
Stainless Steel Finish
SUMMIT SPR70SST1ADA 24"Wx25"Dx32"H SS Lockable \$1685
Available at AJ Madison, 15A/115V
6. **X-Ray Equipment** (USHW)
UMG/Del Medical FWFC w/AN, RT100, VS100
7. **Audio Booth/Vocal Booth** (USHW)

(XVI) PHYSICAL THERAPY EQUIPMENT (Owner Furnished Owner Installed):

1. **Electrical Stimulator Unit**
SOLARIS #700 Series 110-240V, 50/60 HZ, 85W
2. **Infrared Heat Lamp**
LHASA IR-PRO #250 Professional Heat Lamp 11V, 250W Lamp
3. **Treadmill**
SPORTSART #T610. 110V, 20amp dedicated circuit.
4. **Cycle**
SPORTSART #C52 Series. Self- generating
5. **Bike**
SCIFIT Pro1 Series, 110V
6. **Elliptical Trainer**
SPORTSART #E821 110V, Dedicated circuit

7. Hydrocollator Heating Unit

M2 Mobile Hot Pad Unit. 120V, Dedicated circuit
CHATTANOOGA GROUP M2, 120 V

8. Cold Pack Freezer

COLPAC 115V, 60Hz, 1.5 amps, 151W

9. Paraffin Bath

PARABATH 110V

10. Treatment Table

METRON ELLITE 7-Section Table.120V, 60Hz, 2.7A, 70W max

11. Traction Package

CHATTANOOGA Hi/Lo Table with Difital Traction Unit 110V. Requires (2) plugs.

12. PT Blanket Rack

Included in Millwork Shop Drawings

(XVII) CLINIC EQUIPMENT (Owner Furnished Contractor Installed):

1. Welch Allyn Green Series 777 Diagnostic Wall Set 34" w x 12" h

Product Code: 77792-MNOBP Includes: GS 777 Wall Transformer with Coaxial Ophthalmoscope (11720), MacroView Otoscope (23810). \$810.77. Mount bracket 63" AFF.

2. Chart Holders (9)

QUILL BRAND® Wall-Mount Letter-Sized Pockets; 3-Pocket Set, Smoke, 19-1/4Hx13Wx4"D

3. Sharps Containers (9)

ULINE

Model No. 15309, 5 quart cabinet; 13 x 5 ½ x 11 ¾" - \$29 each/\$25 (2⁺)

4. Glove Holders (9)

A. ULINE

Model No. H-1647, 11 x 5 x 4" - \$25 each/\$23 (2⁺)

B. ULINE (Acrylic)

Model No. H-6120, 11 x 10 x 4" - \$31 each/\$29 (2⁺)

C. ULINE (Acrylic)

Model No. H-1648, 11 x 15 x 4" - \$39 each

5. Crutch Holder – Double Cane & Crutch Storage Rack

762 0011 ADVANTAGE MEDICAL, INC. Contractor to provide backing.

6. X-ray Apron Rack - WOLF X-RAY Lead Apron & Glove Rack

Item #: AR2 Price: \$169.00

WOLF X-RAY 16400 wall mounted Tri-Rak holds a protective apron and a pair of protective gloves. Specifications: 16" H x 28" W x 8" D. Contractor to provide backing.

Exhibit A (Quart Formulas)

SHERWIN-WILLIAMS 8294 04/22/16
661-260-1581 Order# 0079374
INTERIOR ARCHITECTURAL
COLOR TO GO LATEX
SATIN IFC 8012NP

7582 SALUTE
SHER-COLOR FORMULA

CCE*COLORANT	OZ	32	64	128
N1-Raw Umber	-	10	-	1
R2-Maroon	-	14	-	1
R3-Magenta	-	51	-	1
Y1-Yellow	-	4	-	1

QUART ULTRADEEP
A91T00354 650462336

Non Returnable Tinted Color

CAUTION: To assure consistent color, always order enough paint to complete the job and intermix all containers of the same color before application. Mixed colors may vary slightly from color strip or color chip.



216

SHERWIN-WILLIAMS 8294 04/22/16
661-260-1581 Order# 0079374
INTERIOR ARCHITECTURAL
COLOR TO GO LATEX
SATIN IFC 8012NP

D58-4 DOVER GRAY
CUSTOM SHER-COLOR MATCH

CCE*COLORANT	OZ	32	64	128
W1-White	-	5	-	-
B1-Black	-	18	-	1
R2-Maroon	-	1	-	-
Y3-Deep Gold	-	3	-	-

QUART DEEP
A91W00353 650462328

Non Returnable Tinted Color

CAUTION: To assure consistent color, always order enough paint to complete the job and intermix all containers of the same color before application. Mixed colors may vary slightly from color strip or color chip.



216-1

SHERWIN-WILLIAMS 8294 04/22/16
661-260-1581 Order# 0079374
INTERIOR ARCHITECTURAL
COLOR TO GO LATEX
SATIN IFC 8012NP

COMP(B003) N470-2 OCEANIC CLIM
CUSTOM SHER-COLOR MATCH

CCE*COLORANT	OZ	32	64	128
B1-Black	-	4	1	1
G2-New Green	-	1	-	-

QUART EXTRA WHITE
A91W00351 650462302

Non Returnable Tinted Color

CAUTION: To assure consistent color, always order enough paint to complete the job and intermix all containers of the same color before application. Mixed colors may vary slightly from color strip or color chip.



216

SHERWIN-WILLIAMS 8294 04/22/16
661-260-1581 Order# 0079374
INTERIOR ARCHITECTURAL
COLOR TO GO LATEX
SATIN IFC 8012NP

6238 ICICLE
SHER-COLOR FORMULA

CCE*COLORANT	OZ	32	64	128
B1-Black	-	-	1	1
L1-Blue	-	-	-	1
R4-New Red	-	-	-	1

QUART EXTRA WHITE
A91W00351 650462302

Non Returnable Tinted Color

CAUTION: To assure consistent color, always order enough paint to complete the job and intermix all containers of the same color before application. Mixed colors may vary slightly from color strip or color chip.



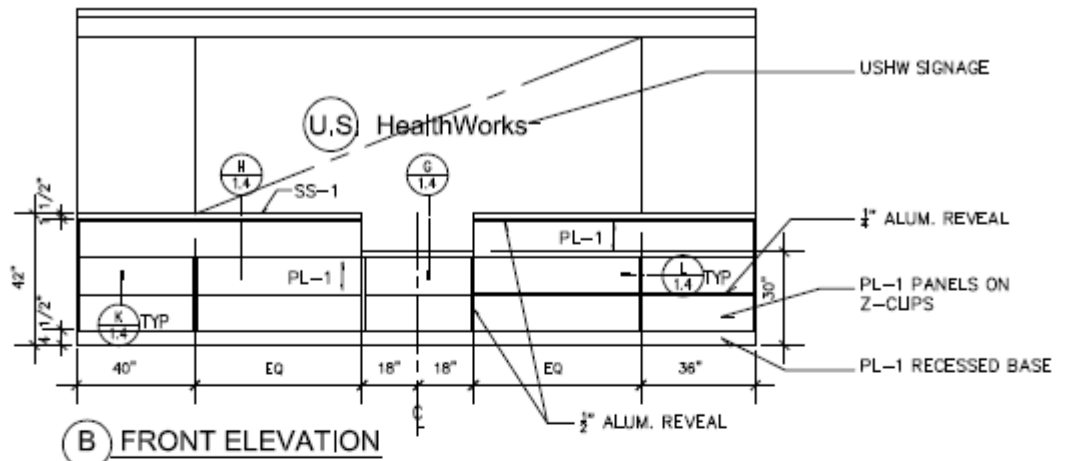
216

Millwork Standards Reference Booklet

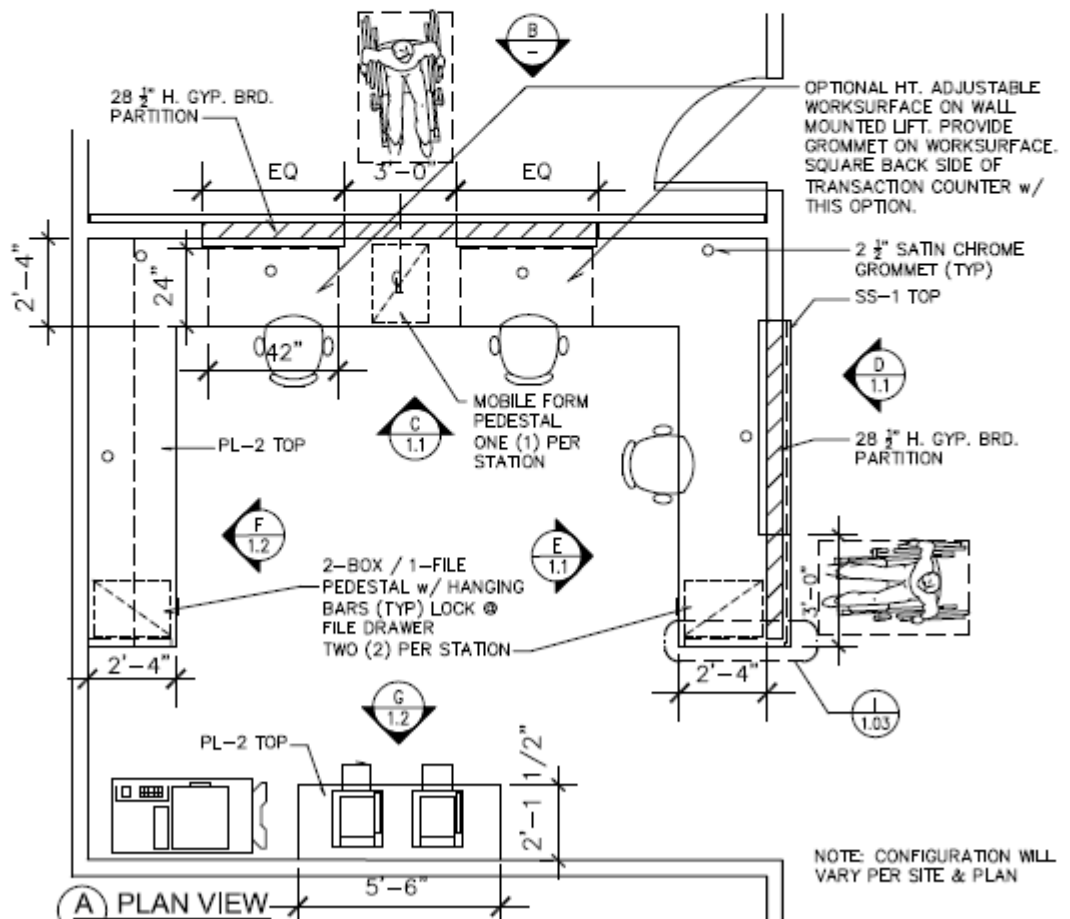
LAST UP-DATED 05.26.17

MILLWORK STANDARDS REFERENCE BOOKLET

ITEM	PAGE	DISC.	CAD SHT.REF.#
	0.0	<u>MILLWORK FINISHES & HARDWARE SPECIFICATIONS</u>	
1.0		<u>TYPICAL RECEPTIONIST STATION</u>	M-1.0
	1.1	PLAN & ELEVATIONS	
	1.2	ELEVATIONS	
	1.3	ELEVATIONS	
	1.4	SECTIONS & DETAILS	
2.0		<u>TYPICAL NURSES STATION</u>	M-2.0
	2.1	PLAN & ELEVATIONS	
	2.2	ELEVATIONS	
	2.3	SECTIONS & DETAILS	
3.0		<u>TYPICAL HAND SINK CABINETRY</u>	M-3.0
	3.1 A	DRUG TEST	
	3.1 B	BLOOD DRAW	
	3.2 C	PROCEDURE ROOM	
	3.2 D	AUXILLARY HAND SINK STATIONS	
4.0		<u>EXAM ROOM CABINET</u>	M-3.0
	4.1	PLAN & ELEVATIONS	
5.0		<u>TYPICAL WORK COUNTER AREAS</u>	M-3.0
	5.1 A	BAT/PFT	
	5.1 B	CHARTING/ DICTATION STATION	
6.0		<u>TYPICAL PHYSICAL THERAPY CABINETRY</u>	M-3.0
	6.1	PT HAND SINK CABINET	
	6.2	PT CHARTING STATION	
7.0		<u>AUXILLARY MILLWORKAREAS</u>	M-4.0
	7.1 1	WEIGH STATION	
	7.1 2	PATIENT LOCKERS	
	7.2 3	BIN STORAGE WALL PANELS	
	7.2 4	WAVE WALL	
	7.2 5	ALTERNATE WAVE WALL	
8.0		<u>TYPICAL MILLWORK SECTIONS</u>	M-5.0
	8.1 1	BASE CABINET w/ DOOR & DRAWER	8.3 8 UPPER CABINET w/ DOOR
	8.1 2	BASE CABINET w/ HAND SINK	8.3 9 UPPER CABINET w/o DOOR
	8.1 3	BASE CABINET w/ PULL-OUT SHELF	8.4 10 2 BOX/1 FILE PEDESTAL
	8.1 4	BASE CABINET w/ TRASH RING & BIN	8.4 11 2 BOX/1 FILE MOBILE PEDESTAL
	8.2 5	BASE CABINET w/ LATERAL FILES	8.4 12 MOBILE FORM PEDESTAL
	8.2 6	BASE CABINET w/ ADJUSTABLE SHELF	
	8.2 7	WORK COUNTER - 30"H	



(B) FRONT ELEVATION

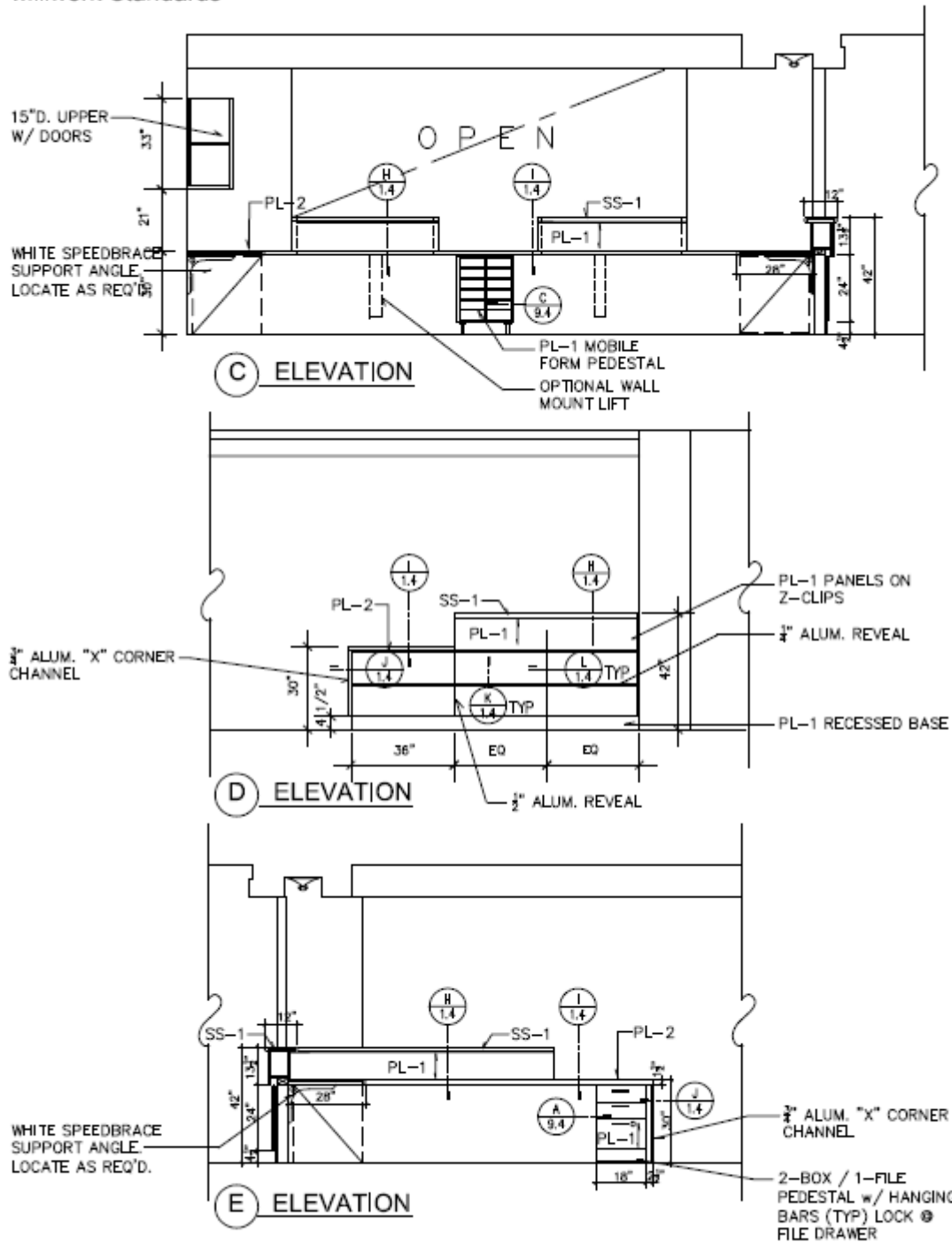


(A) PLAN VIEW

NOTE: CONFIGURATION WILL VARY PER SITE & PLAN

TYP. RECEPTIONIST STATION - PLAN & ELEVATION

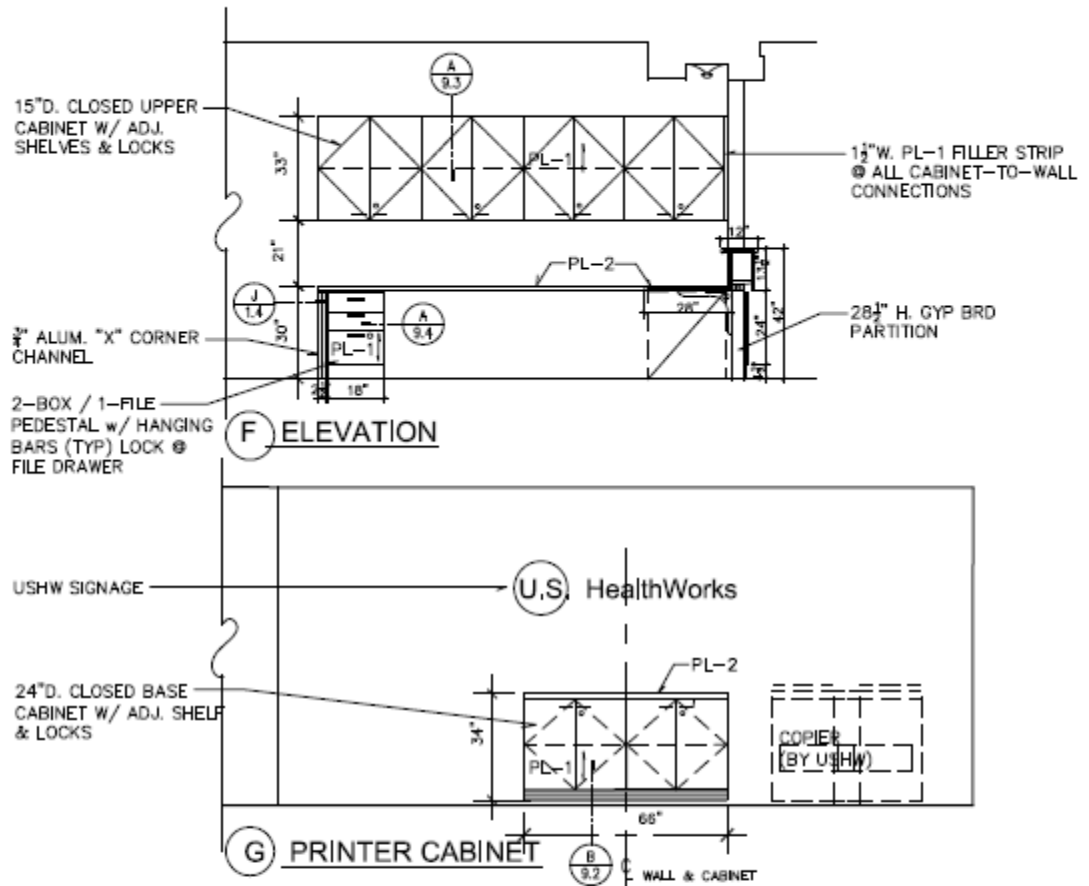
SHT. 1.1
1/4" = 1'-0"



TYP. RECEPTIONIST STATION - ELEVATIONS

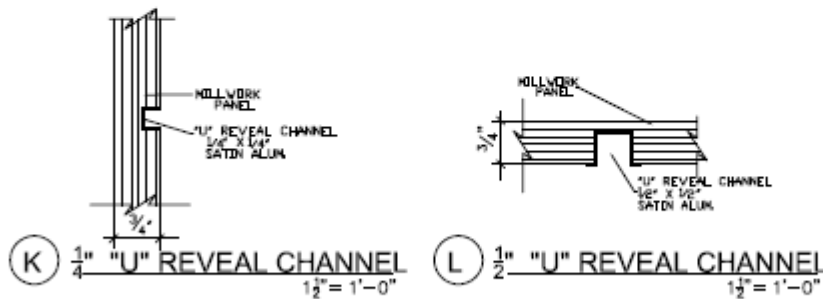
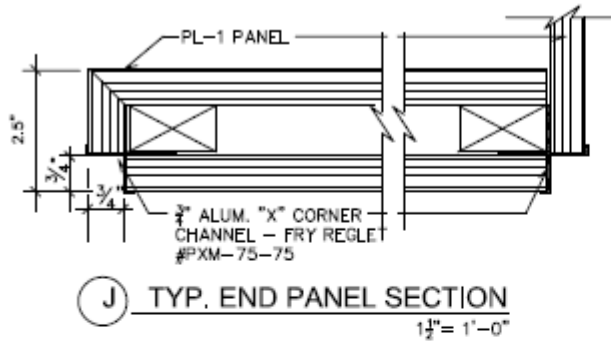
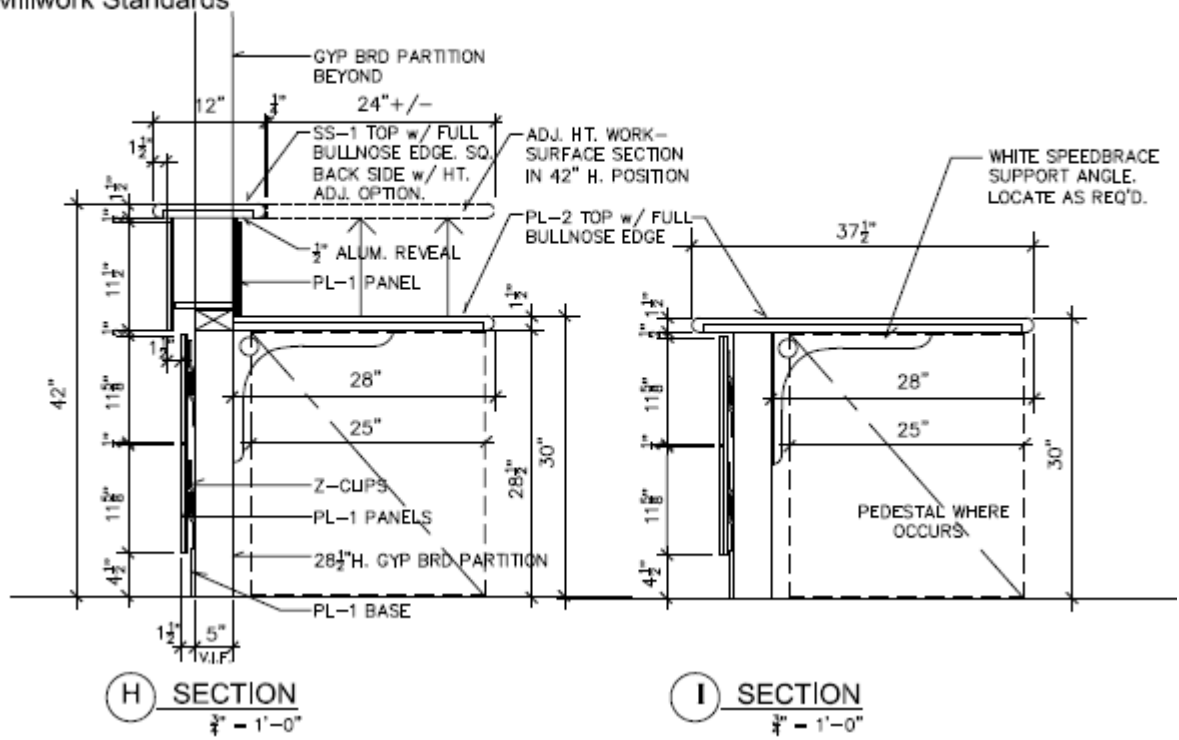
SHT. 1.2
1/4" = 1'-0"

U.S.HEALTHWORKS
Millwork Standards



TYP. RECEPTIONIST STATION - ELEVATIONS

SHT. 1.3
1/4" = 1'-0" U.O.N.

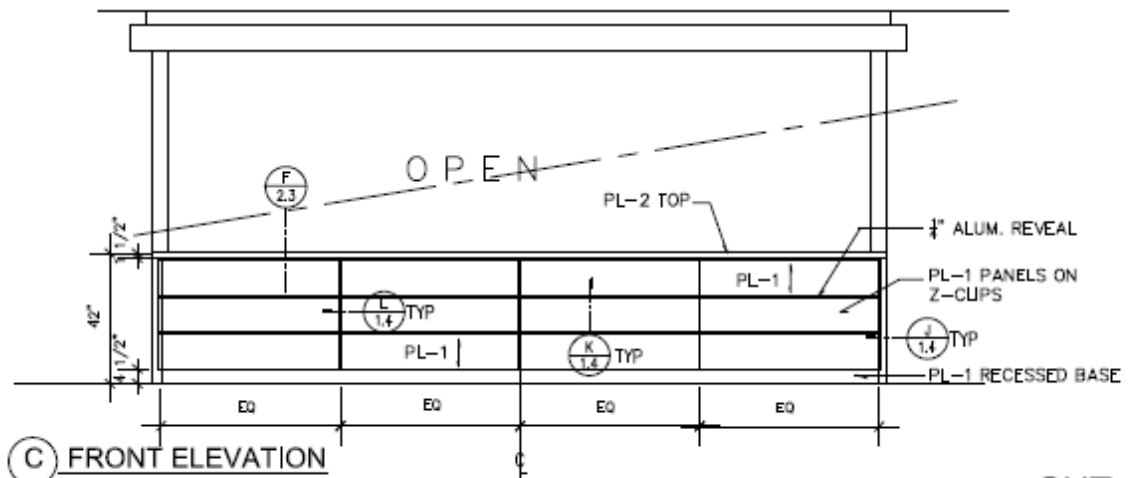
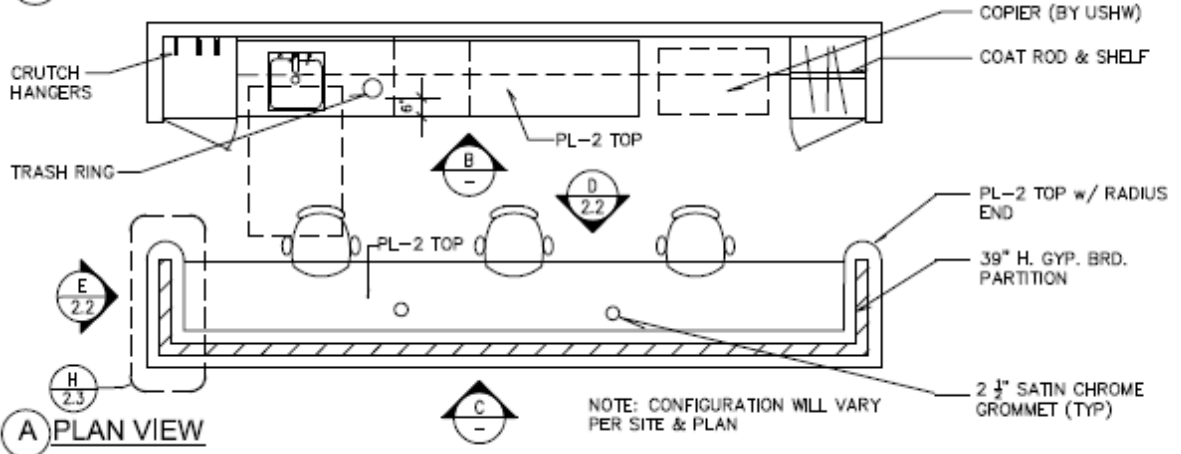
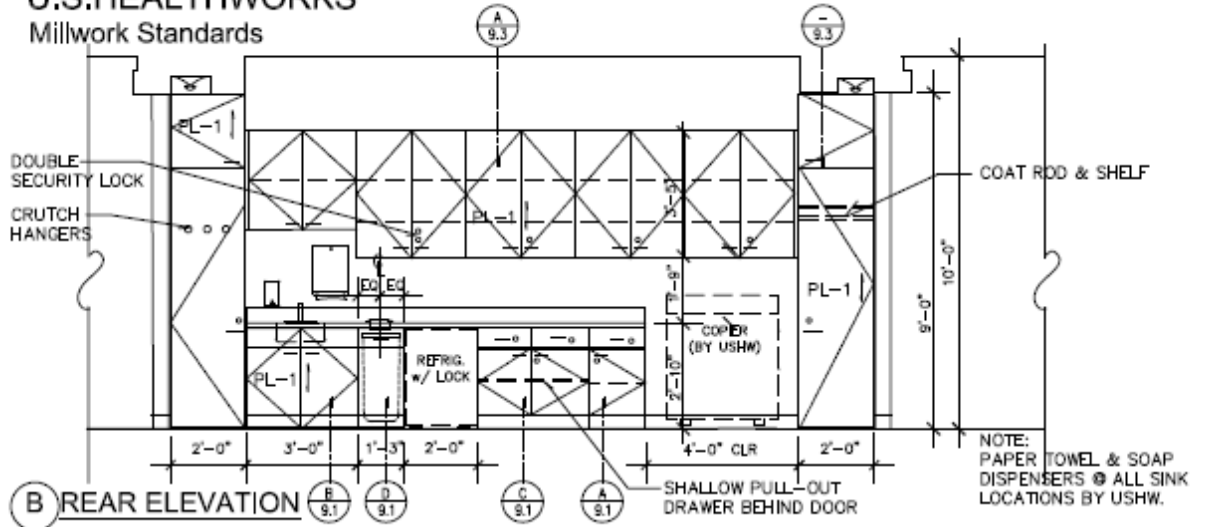


TYP. RECEPTIONIST STATION - SECTIONS & DETAILS

SHT. 1.4

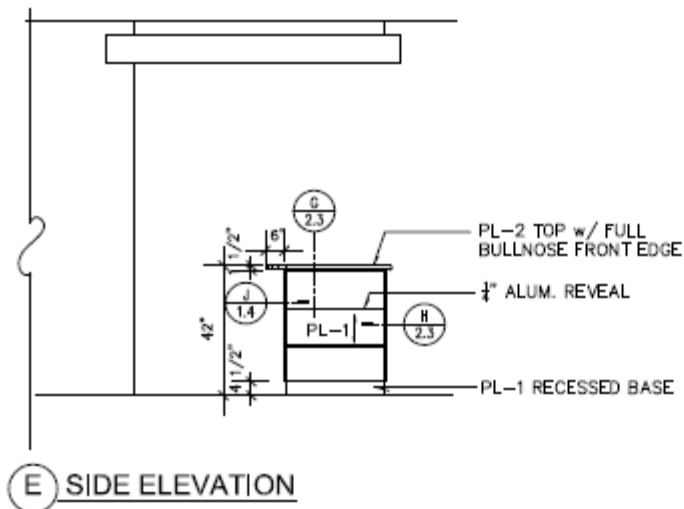
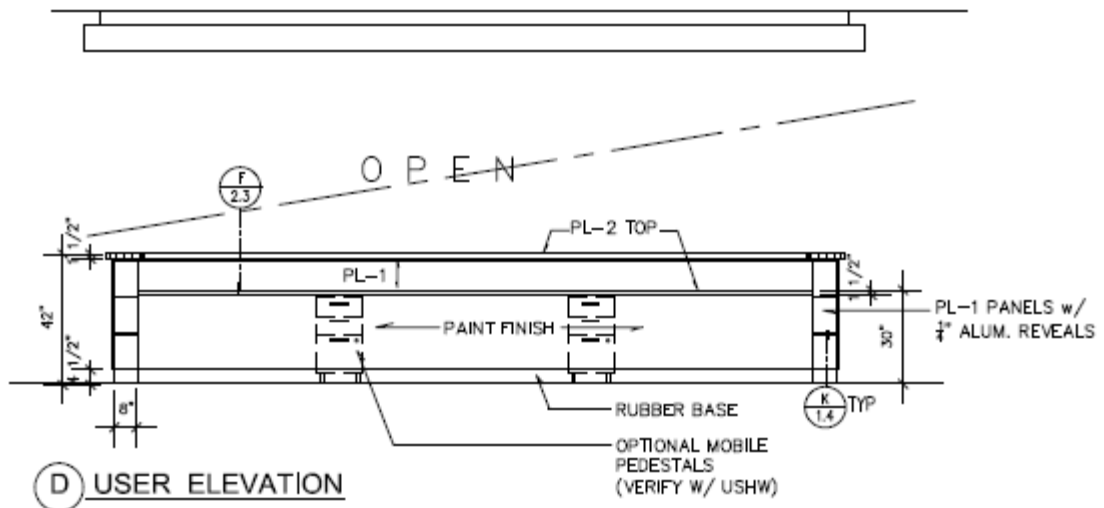
U.S.HEALTHWORKS
Millwork Standards

LAST UP-DATED 03.24.17



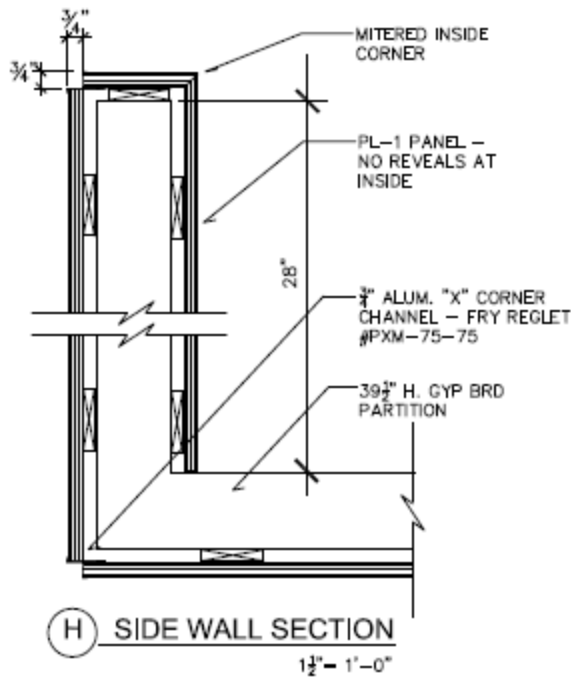
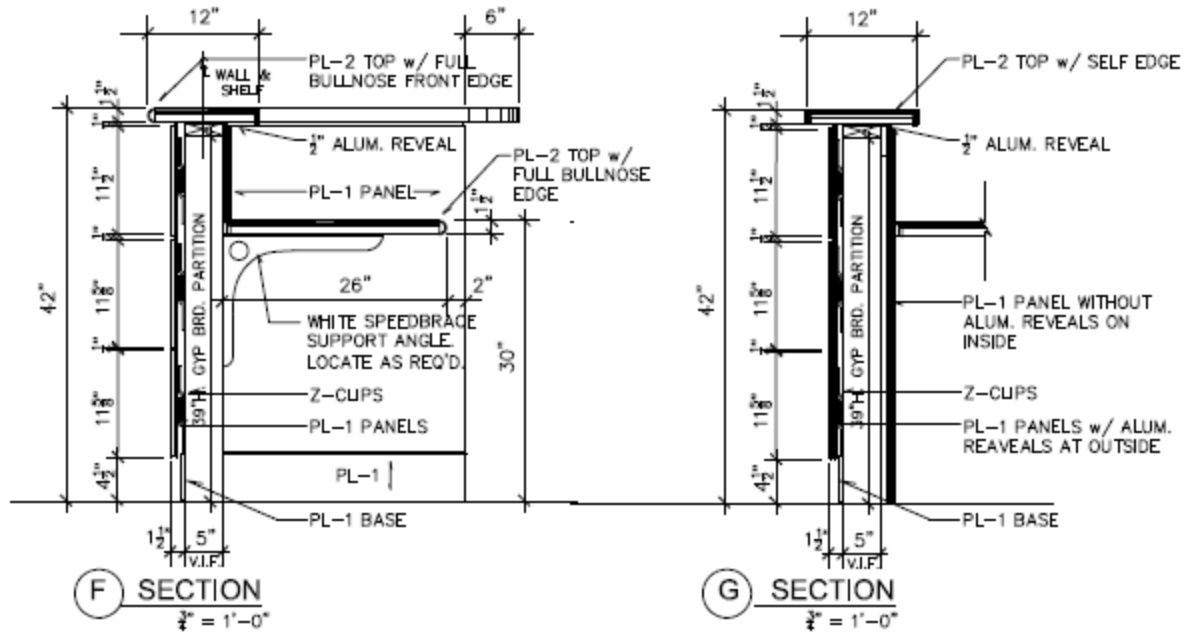
TYPICAL NURSES STATION - PLAN & ELEVATIONS

SHT. 2.1
1/4" = 1'-0"



TYPICAL NURSES STATION - ELEVATIONS

SHT. 2.2
1/4" = 1'-0" U.O.N.



TYPICAL NURSES STATION - SECTIONS & DETAILS

SHT. 2.3

U.S.HEALTHWORKS
Millwork Standards

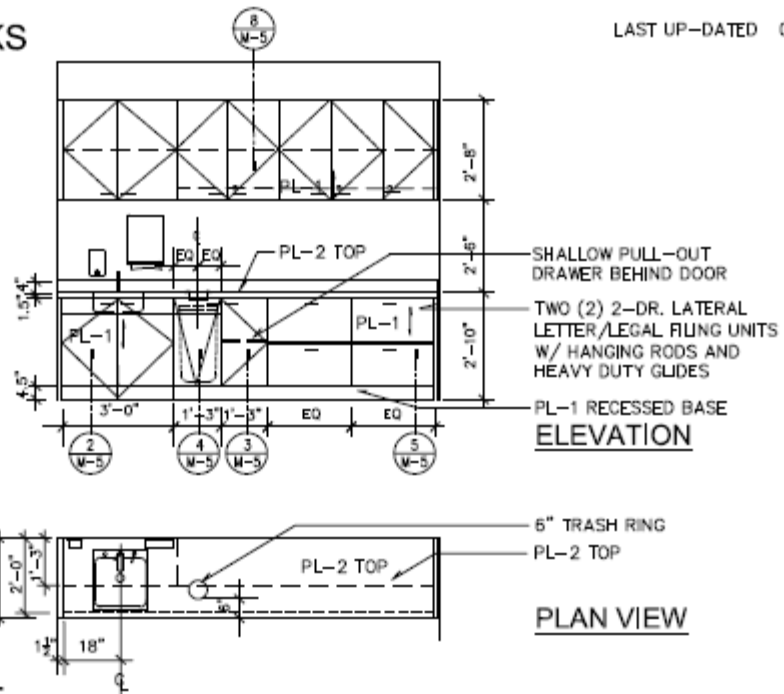
LAST UP-DATED 05.26.17

NOTE:

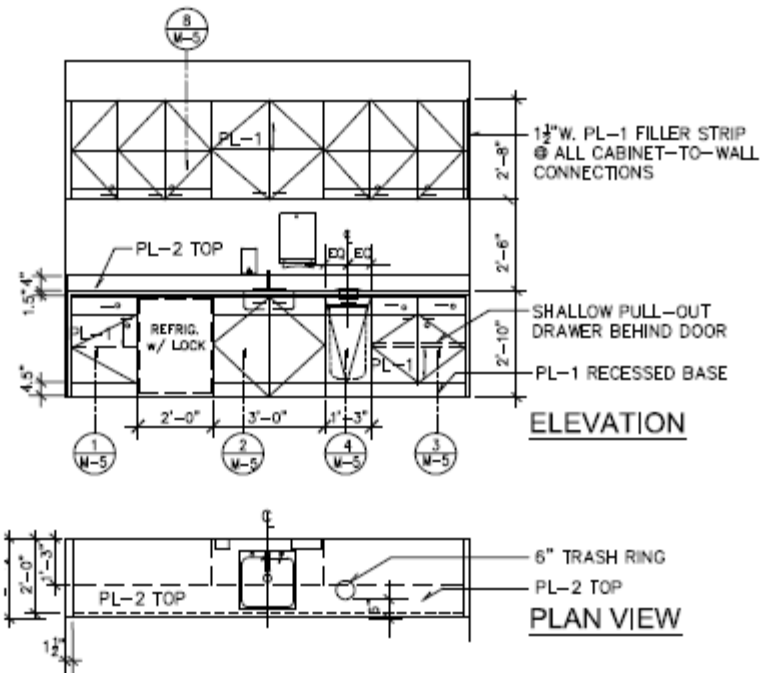
CONFIGURATIONS WILL VARY PER SITE & PLAN

PAPER TOWEL & SOAP DISPENSERS @ ALL SINK LOCATIONS BY USHW.

PROVIDE TWO HAND SINKS WHEN PLAN PROVIDES TWO OR MORE D.T. TOILETS



(A) DRUG TEST



(B) BLOOD DRAW

SHT. 3.1
¼" = 1'-0"

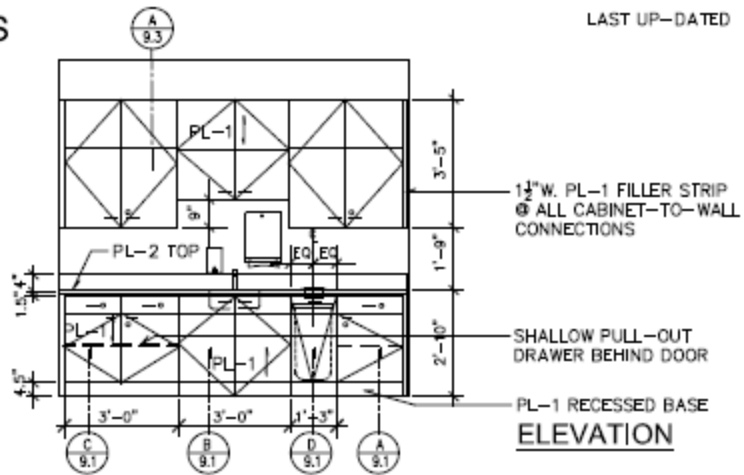
U.S.HEALTHWORKS
Millwork Standards

LAST UP-DATED 03.24.17

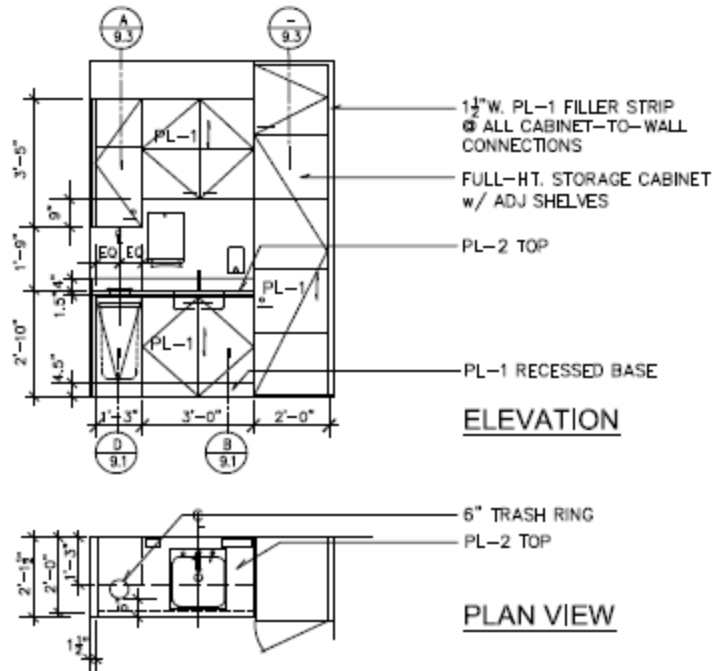
NOTE:

CONFIGURATIONS WILL VARY
PER SITE & PLAN

PAPER TOWEL & SOAP
DISPENSERS @ ALL SINK
LOCATIONS BY USHW.

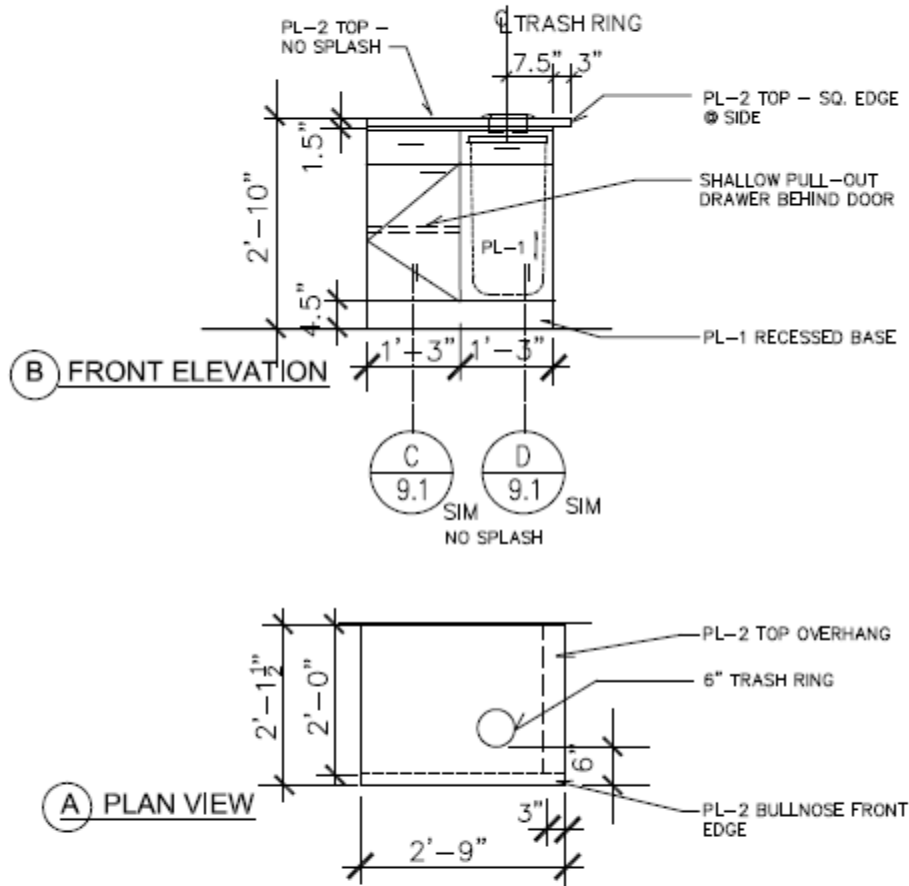


C PROCEDURE ROOM



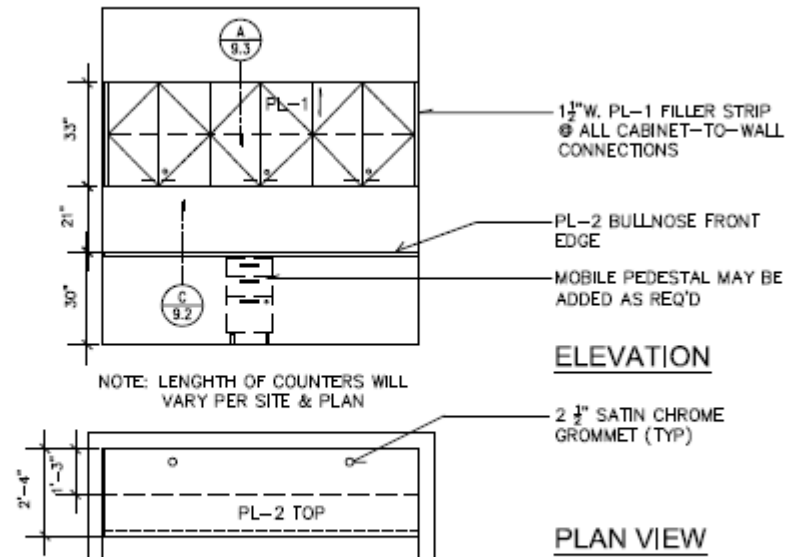
D AUXILIARY HAND SINK STATIONS

SHT. 3.2
1/4" = 1'-0"

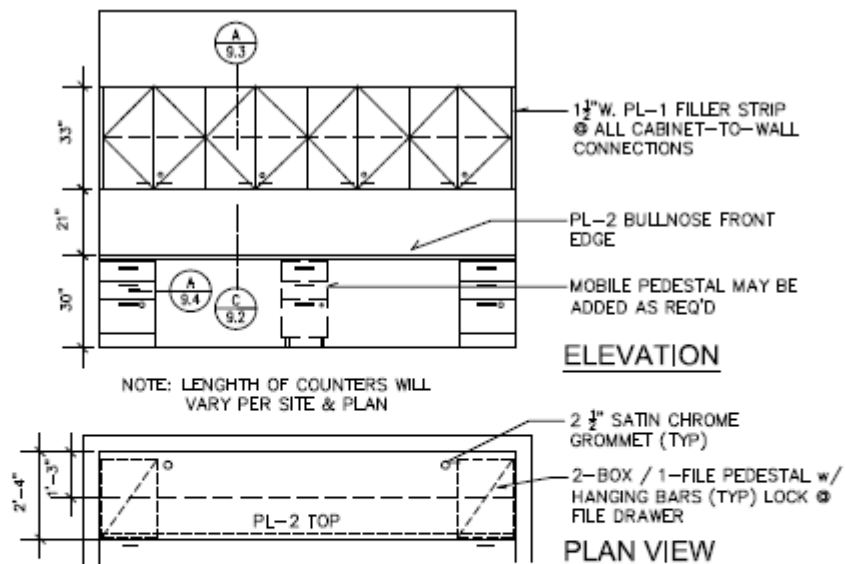


TYPICAL EXAM ROOM CABINET

SHT. 4.1
1/2" = 1'-0"



(A) BAT / PFT COUNTER



(B) CHARTING / DICTATION STATIONS

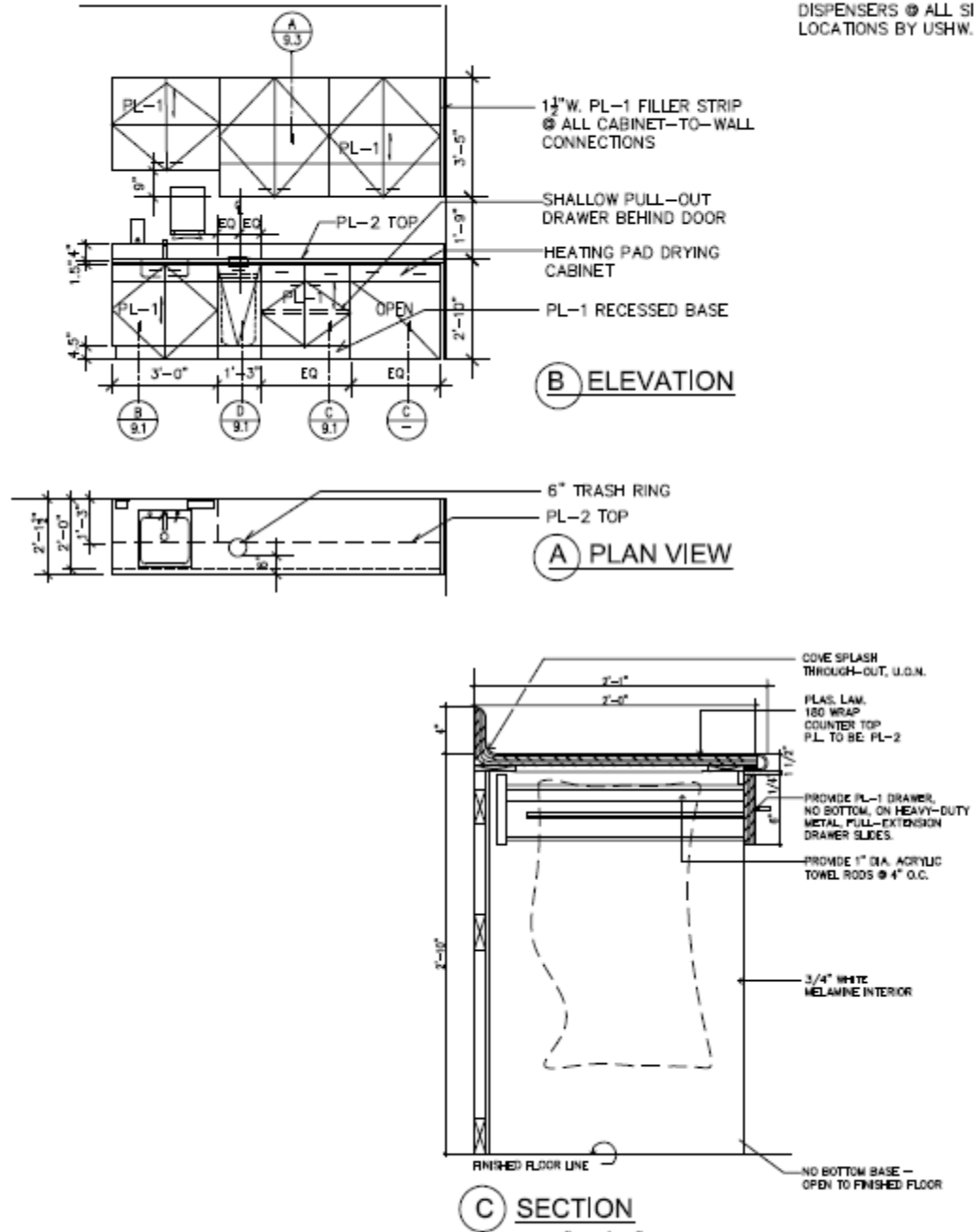
TYP. WORK COUNTER AREAS

SHT. 5.1
1/4" = 1'-0"

NOTE:

CONFIGURATIONS WILL VARY
PER SITE & PLAN

PAPER TOWEL & SOAP
DISPENSERS @ ALL SINK
LOCATIONS BY USHW.



PHYSICAL THERAPY HAND SINK STATION

SHT. 6.1
1/4" = 1'-0" U.O.N.

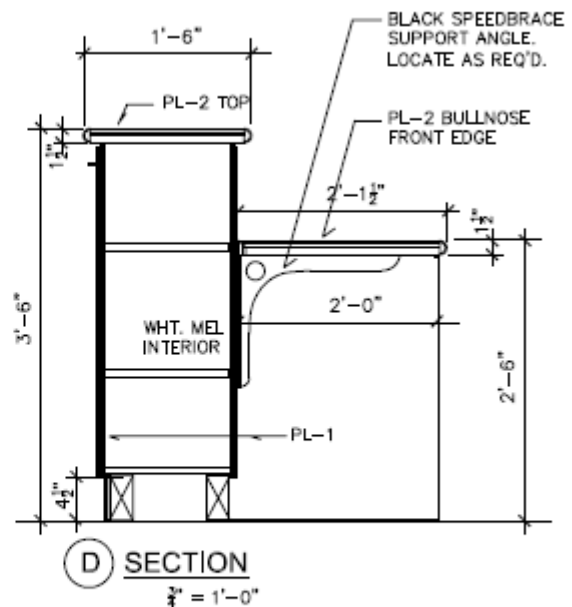
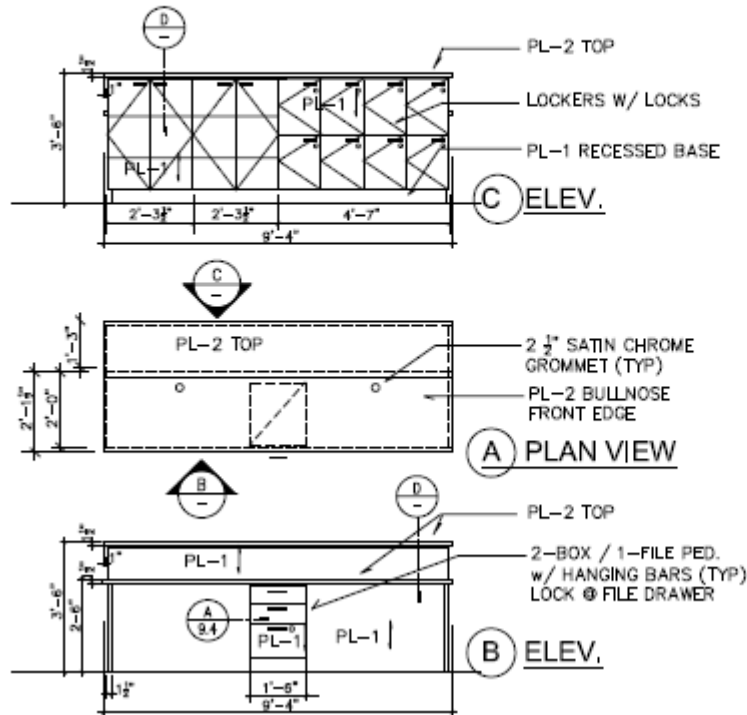
U.S.HEALTHWORKS
Millwork Standards

LAST UP-DATED 03.24.17

NOTE:

CONFIGURATIONS WILL VARY
PER SITE & PLAN

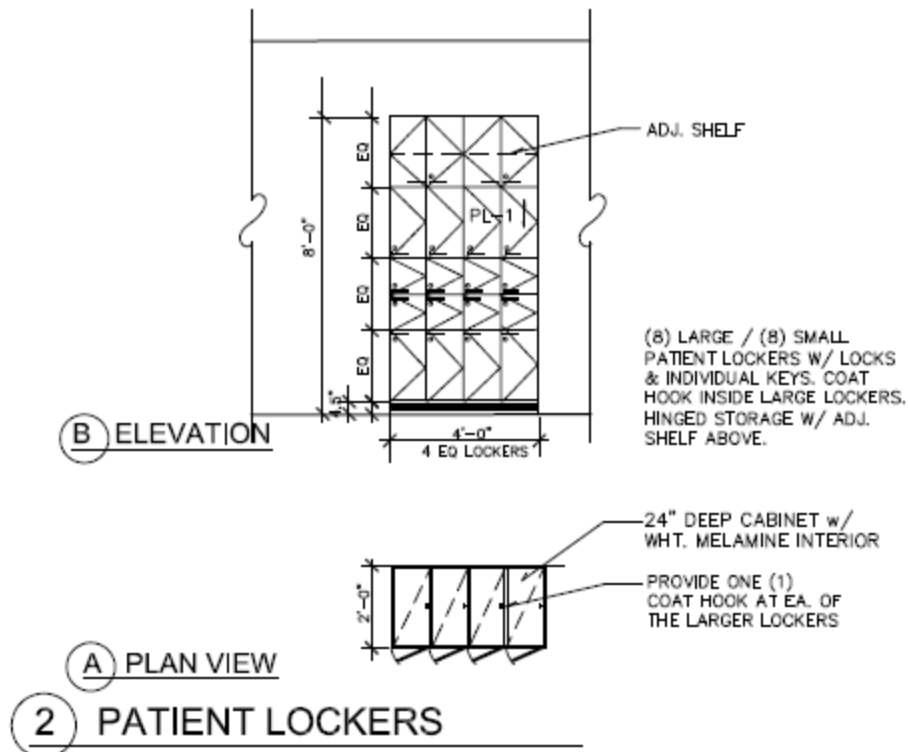
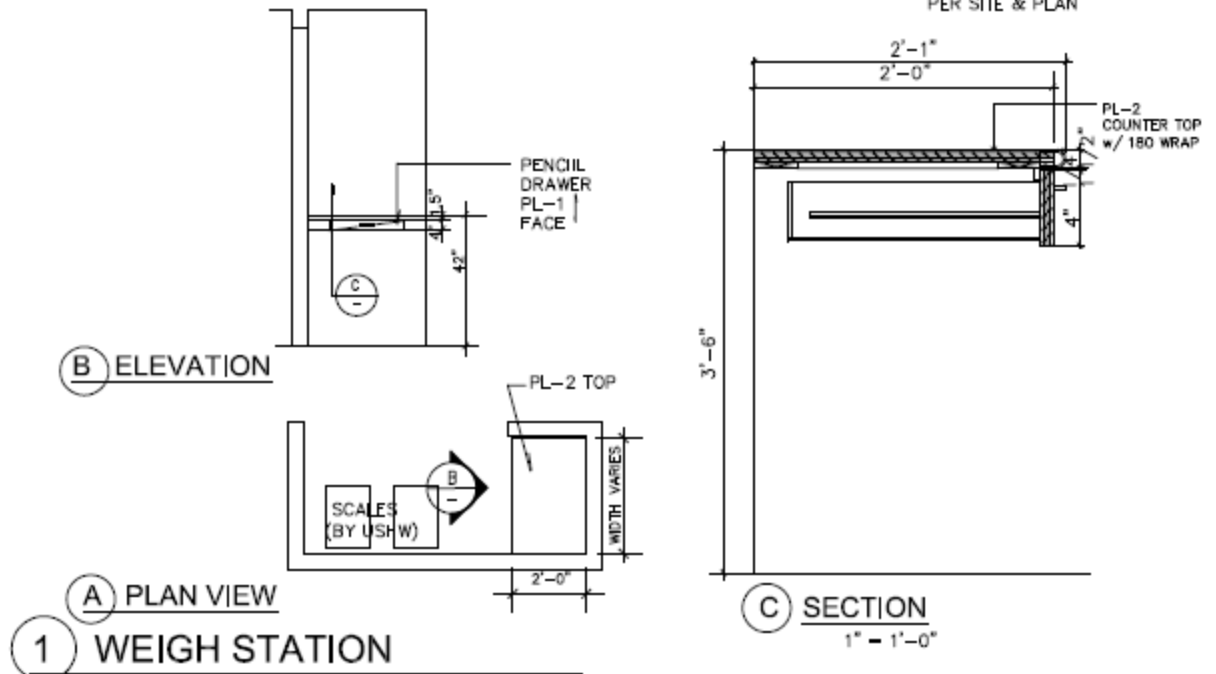
PAPER TOWEL & SOAP
DISPENSERS @ ALL SINK
LOCATIONS BY USHW.



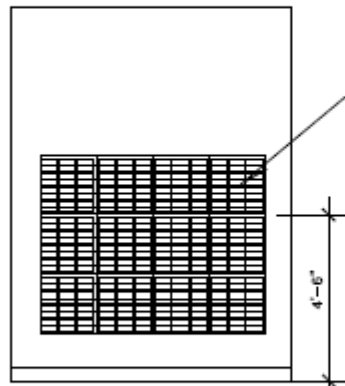
PHYSICAL THERAPY CHARTING STATION

SHT. 6.2
1/4" = 1'-0" U.O.N.

NOTE:
CONFIGURATIONS WILL VARY
PER SITE & PLAN



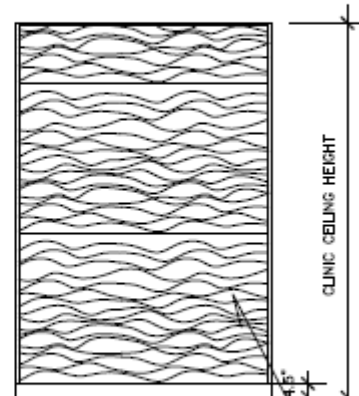
SHT. 7.1
1/4" = 1'-0" U.O.N.



GRANGER "AKRO-MILLS"
18" x 19" LOUVERED WALL
HUNG PANELS
#3AJ36 / 30618
COLOR: GRAY (BY GC).
(BINS BY TENANT.)
G.C. TO PROVIDE STEEL
BACKING AS REQUIRED.

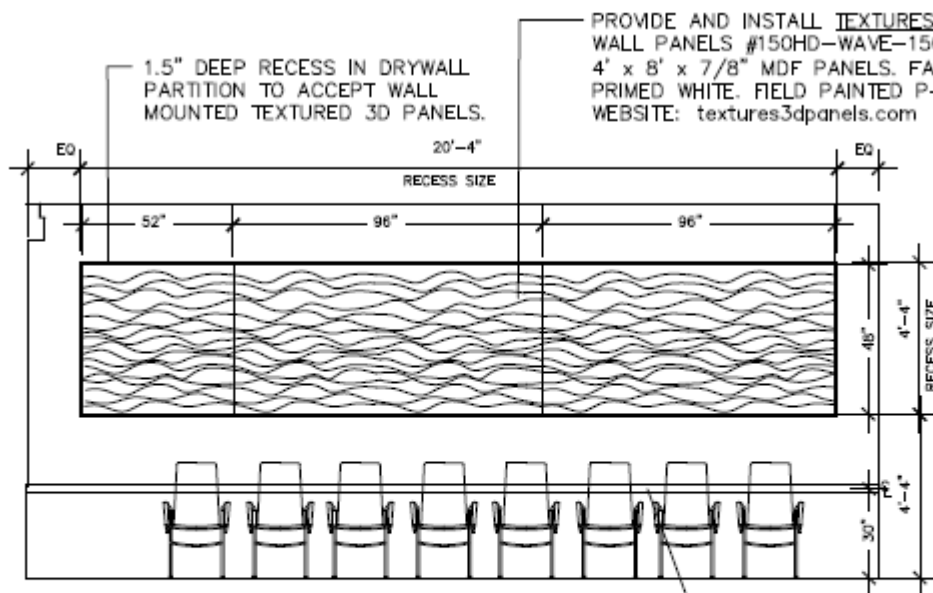
TYPICAL ELEVATION

③ BIN STORAGE WALLS



TYPICAL ELEVATION

④ TYPICAL ACCENT WAVE WALL



1.5" DEEP RECESS IN DRYWALL
PARTITION TO ACCEPT WALL
MOUNTED TEXTURED 3D PANELS.

PROVIDE AND INSTALL TEXTURES 3D
WALL PANELS #150HD-WAVE-150
4' x 8' x 7/8" MDF PANELS. FACTORY
PRIMED WHITE. FIELD PAINTED P-1.
WEBSITE: textures3dpanels.com

ALTERNATE ELEVATION WHEN
CHAIR RAIL IS LOCATED BELOW,

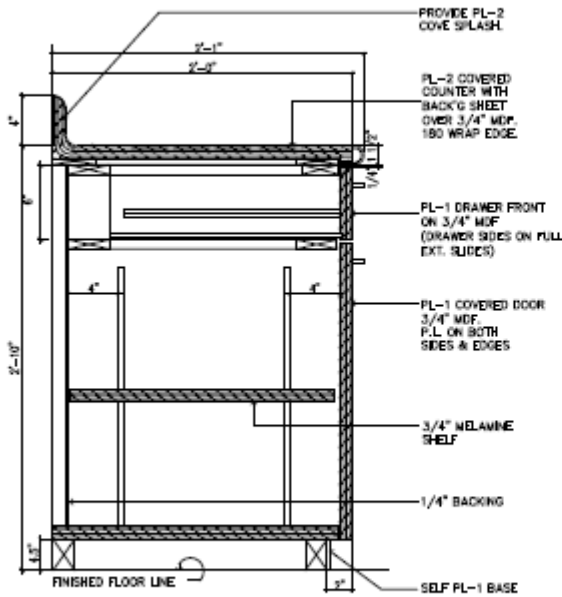
WALL MOUNTED CHAIR RAIL

⑤ ALT. ACCENT WAVE WALL

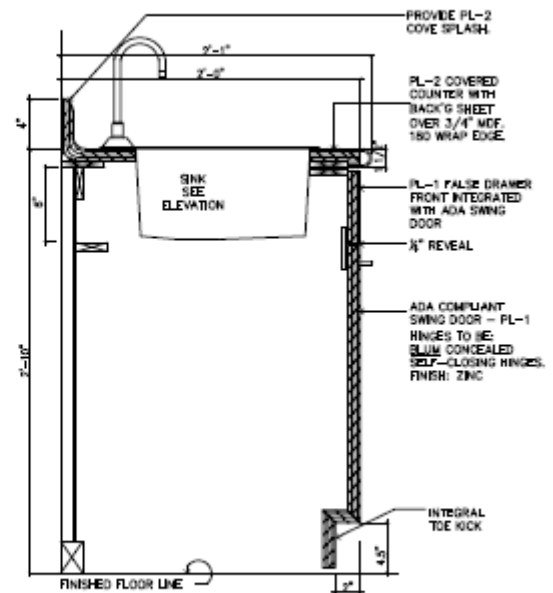
SHT. 7.2
1/4" = 1'-0" U.O.N.

U.S.HEALTHWORKS
Millwork Standards

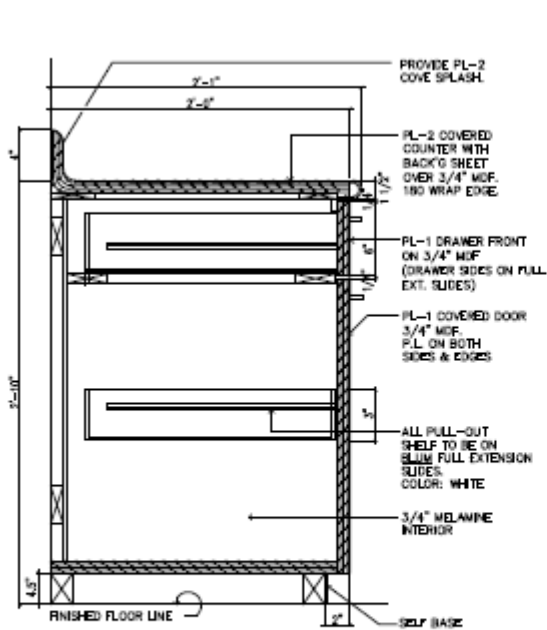
LAST UP-DATED 03.24.17



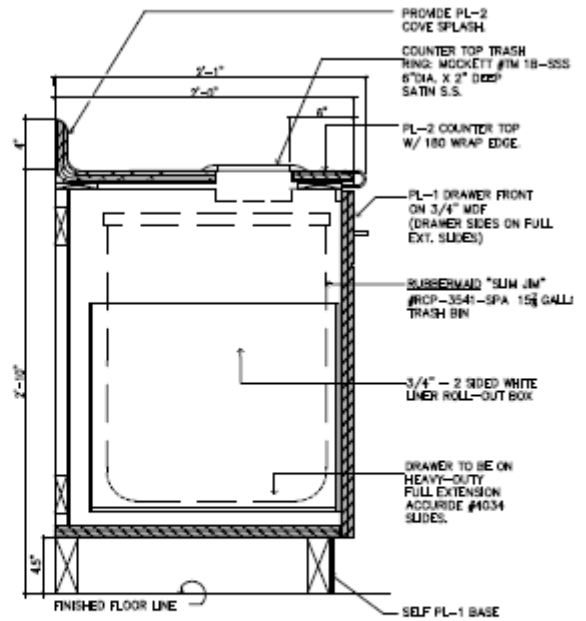
① BASE CAB. w/ DOOR & DRAWER



② BASE CAB. w/ HAND SINK



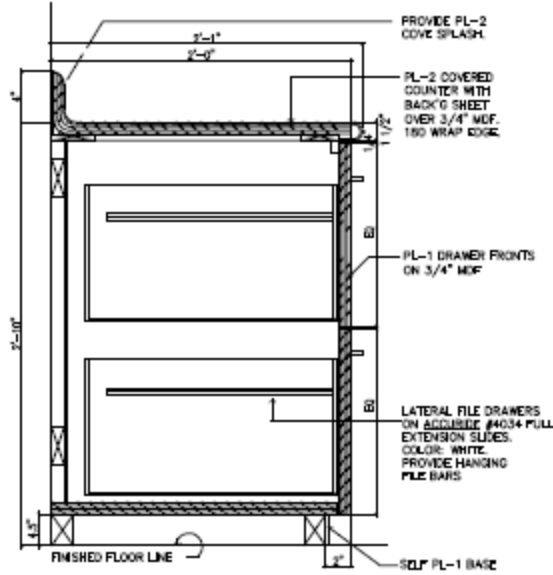
③ BASE CAB. w/ PULL-OUT SHELF



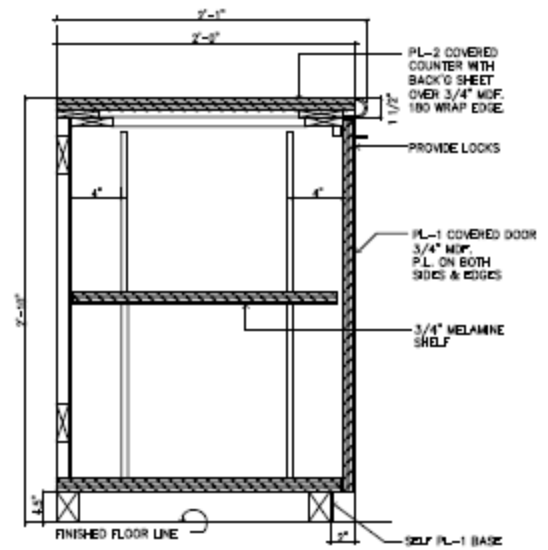
④ BASE CAB. w/ TRASH RING AND BIN

TYP. MILLWORK SECTIONS

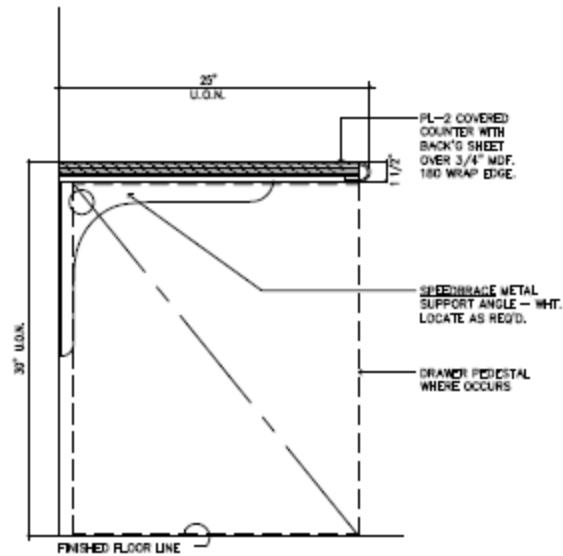
SHT. 8.1
1" = 1'-0"



5 BASE CAB. w/ LATERAL FILES



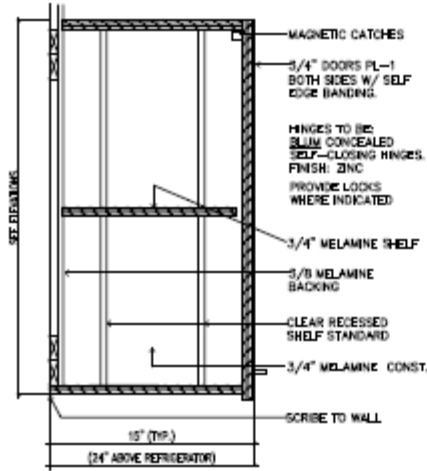
6 BASE CAB. w/ ADJ. SHELF



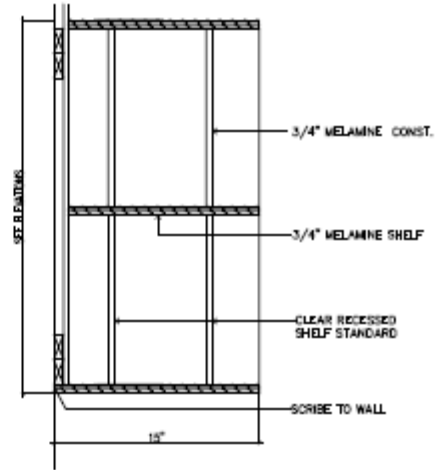
7 30" H. WORKCOUNTER

TYP. MILLWORK SECTIONS

SHT. 8.2
1" = 1'-0"



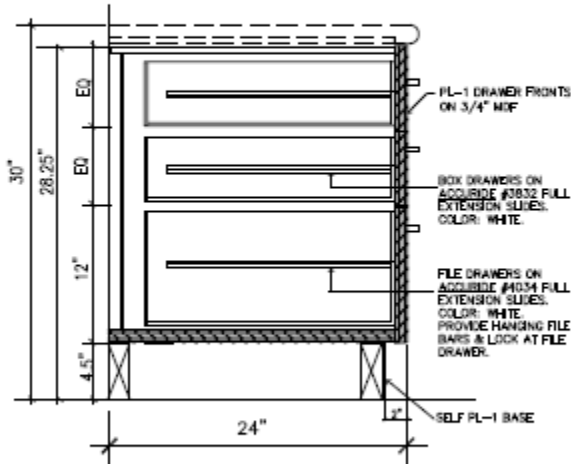
8 UPPER CABINET. w/ DOORS



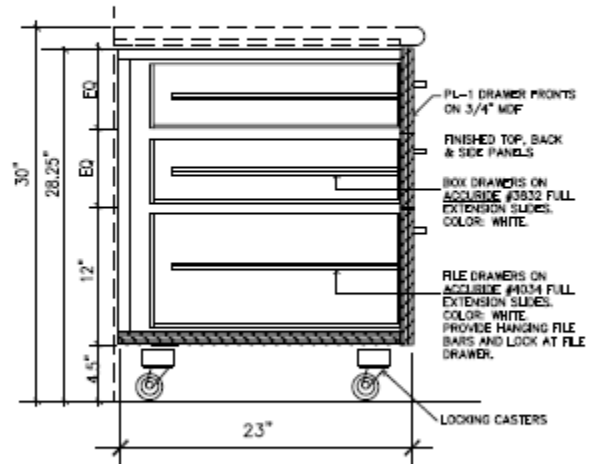
9 UPPER CABINET w/o DOORS

TYP. MILLWORK SECTIONS

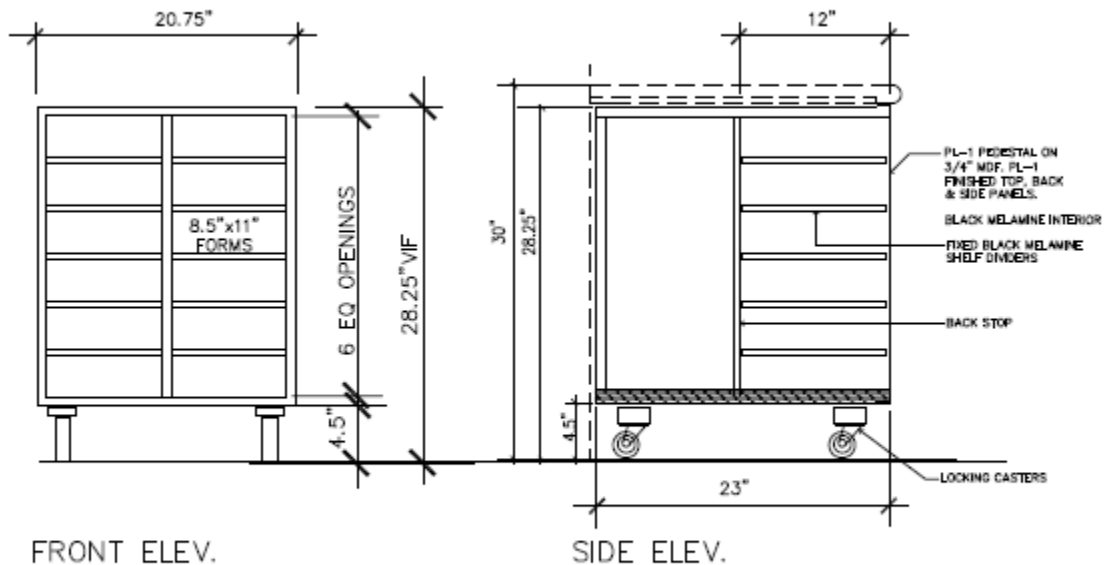
SHT. 8.3
1" = 1'-0"



10 2 BOX / 1 FILE PEDESTAL



11 2 BOX / 1 FILE MOBILE PEDESTAL



FRONT ELEV.

SIDE ELEV.

12 MOBILE FORM PEDESTAL

TYP. MILLWORK SECTIONS

SHT. 8.4
1" = 1'-0"